



DUNNAIR
(Aust) Pty Ltd

Large Capacity Fan Coil Unit

Ceiling Concealed

FCU300DF

Model Number Configuration

FCU300DF : Ceiling Concealed Model

PERFORMANCE DATA

RETURN AIR

Model	Row	Air Flow					Rated Cooling Capacity	Rated heating Capacity	Water Flow	Water Resist - ance	Noise	Input Power	Weight
		L/S											
		SH	HH	H	M	L							
FCU-300DF	4	1405	1278	1164	1053	843	27.0	43.3	1.57	86.28	62	1100	95

Notes for Return Air :

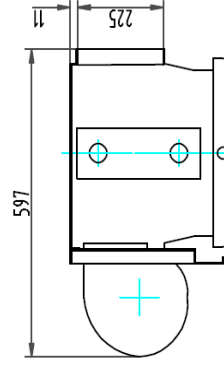
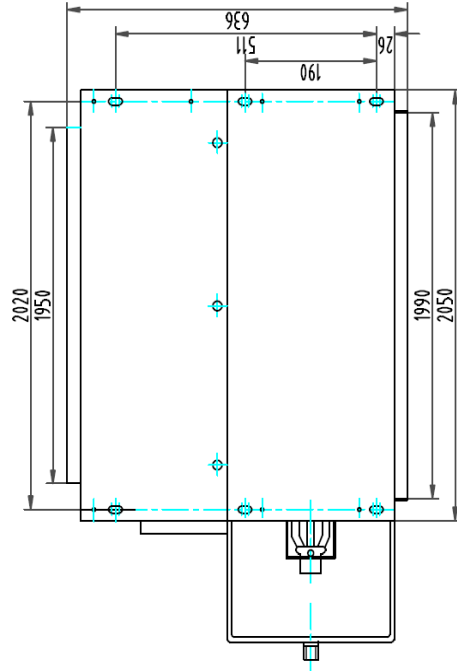
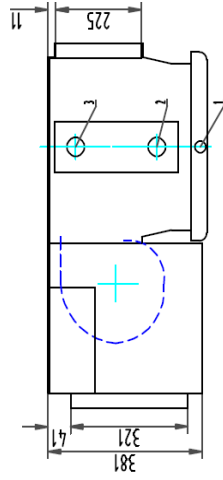
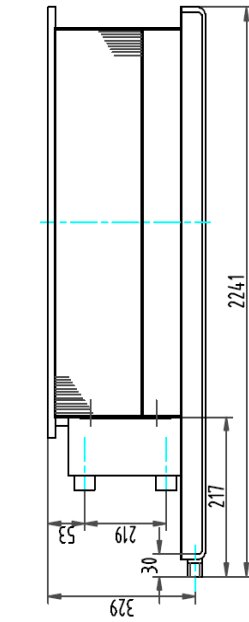
1. Nominal condition is based on (GB/T19232-2003).
2. Cooling:Returnair temp.80.6 °F(27°C) DB,67.1°F(19.5°C) WB
3. Chilled water inlet temp .44.6 °F(7°C) ,water temp rise 41°F(5°C)
4. Heating:Return air temp .69.8(21°C) DB,chilled water inlet temp 140°F(60°C)
5. Water flow rating is as the same as cooling
6. Standard working pressure of fan coil units is 1.8 Mpa,if the requirement is over 1.8 Mpa, please indicate when ordering .

SPECIFICATION

- Forward curved centrifugal fan
- Single phase motor & direct drive
- Coils: Copper tube & Aluminum fins
- Galvanised sheet casing
- A3 steel sheet painting drip-tray

Ceiling Concealed

FCU300DF

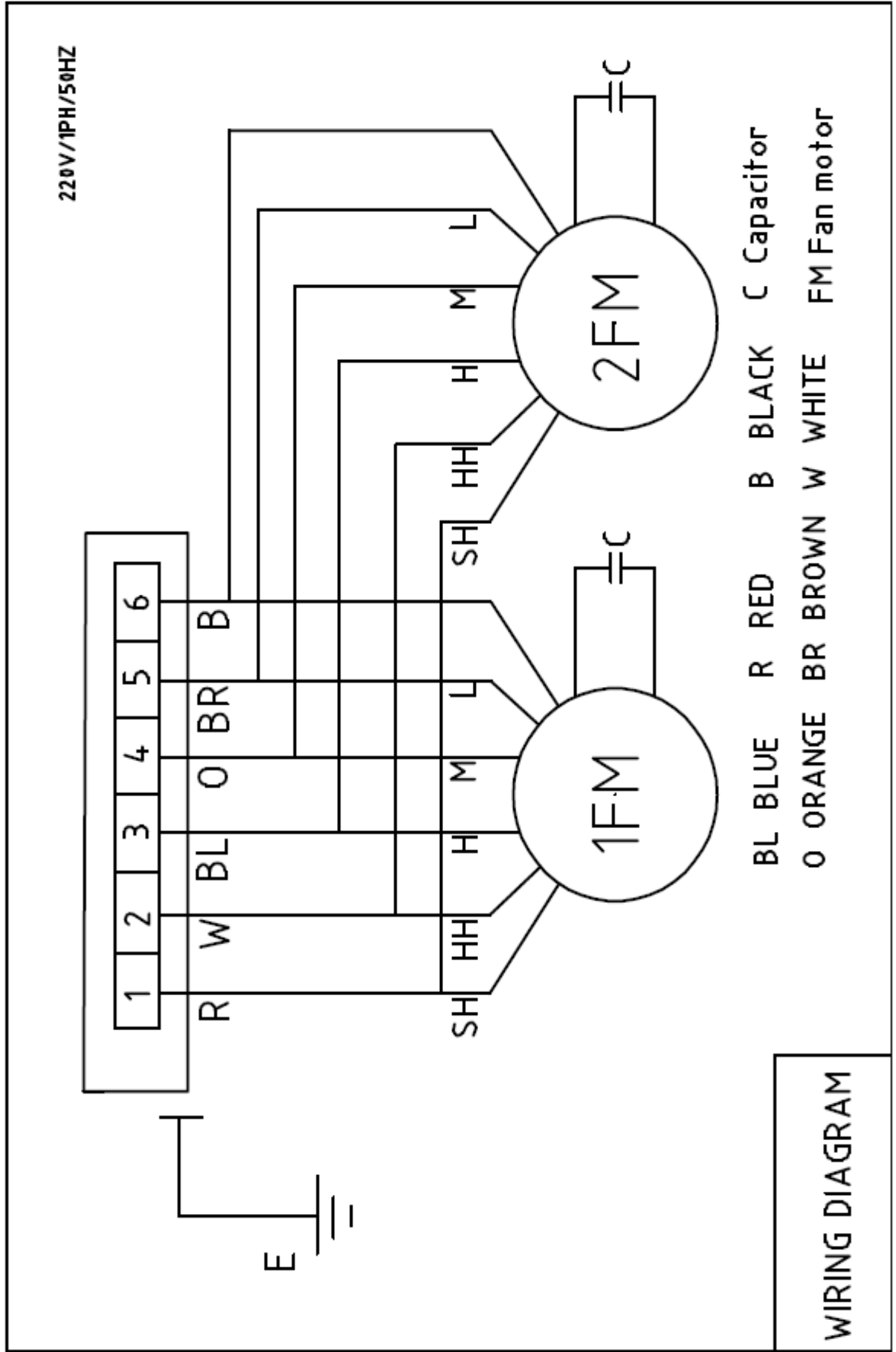


- 1. Condensation 3/4MPT
- 2. Water Inlet 3/4FPT
- 3. Water Outlet 3/4FPT

DRAWN BY:	DATE:	DUNNAIR	TITLE: Water Cooled Fan Coil Unit	DRAWING NO.:	SHEET NO.:
	2009/10/12				
APPROVED d.A.:	APPROVED ENG.:			SCALE:	SHEET 1 OF 1
MODEL:	FCU-300 DF				

Ceiling Concealed

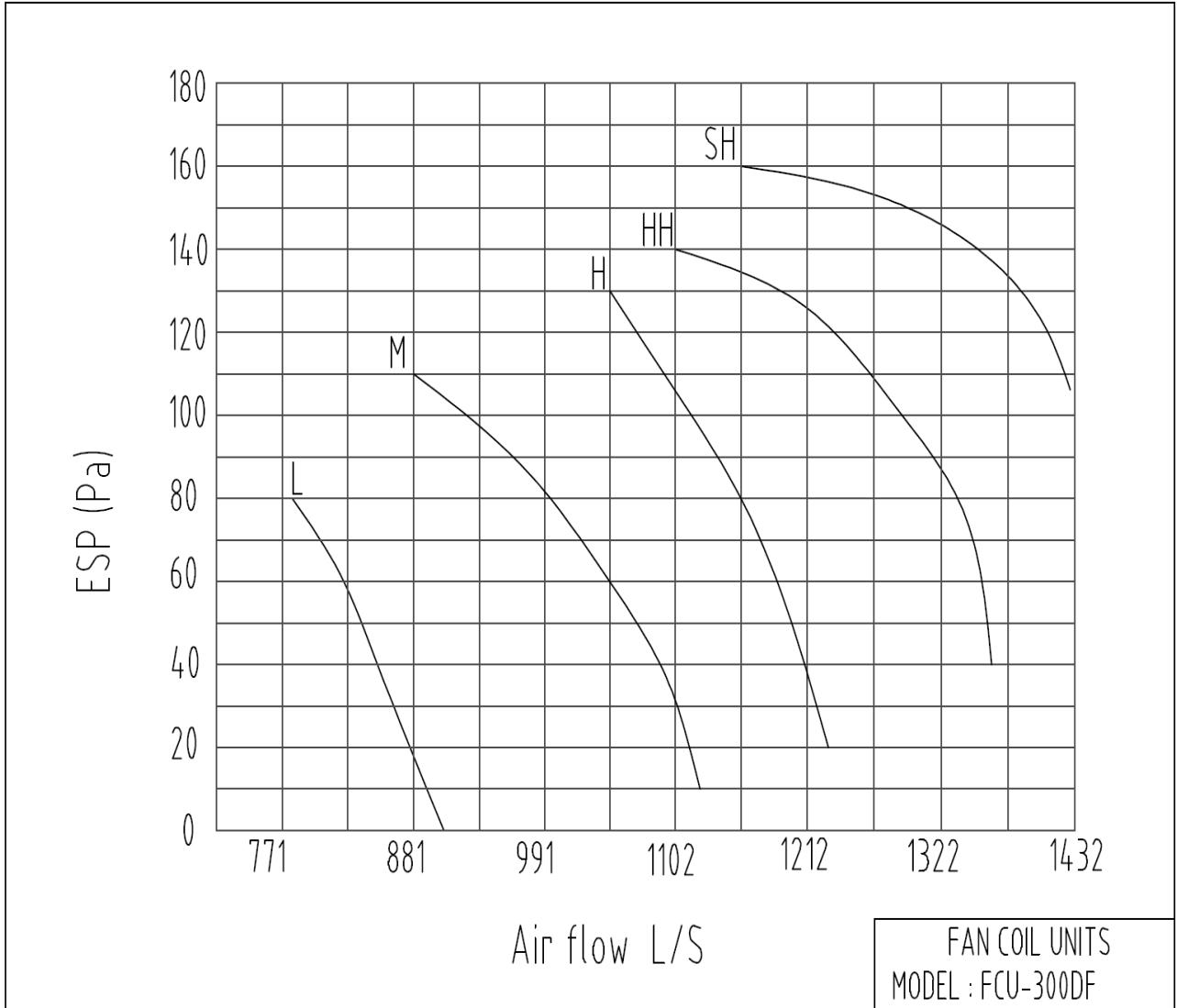
FCU300DF



FAN COIL UNIT

Ceiling Concealed
FCU300DF

FAN CURVE



FAN COIL UNIT

Ceiling Concealed FCU300DF

NOISE CURVE

