



DUNNAIR
(Aust) Pty Ltd

Large Capacity Fan Coil Unit

Ceiling Concealed

FCU130DF

Model Number Configuration

FCU130DF : Ceiling Concealed Model

PERFORMANCE DATA

RETURN AIR

Model	Row	Air Flow					Rated Cooling Capacity	Rated heating Capacity	Water Flow	Water Resistance	Noise	Input Power	Weight
		L/S											
		SH	HH	H	M	L							
FCU-130DF	3	609	555	505	457	365	11.7	17.6	0.66	51.77	57	525	53

Notes for Return Air :

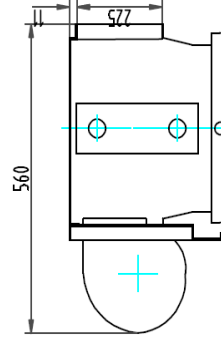
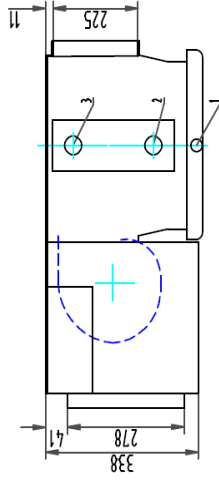
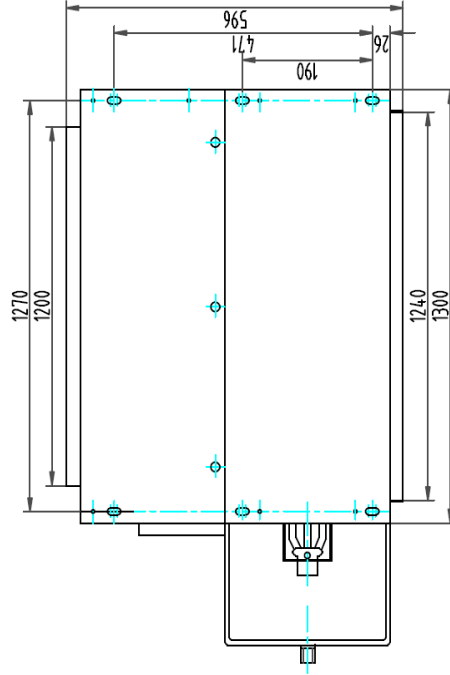
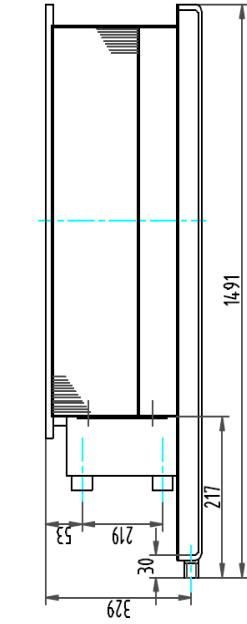
1. Nominal condition is based on (GB/T19232-2003).
2. Cooling:Returnair temp.80.6 °F(27°C) DB,67.1°F(19.5°C) WB
3. Chilled water inlet temp .44.6 °F(7°C) ,water temp rise 41°F(5°C)
4. Heating:Return air temp .69.8(21°C) DB,chilled water inlet temp 140°F(60°C)
5. Water flow rating is as the same as cooling
6. Standard working pressure of fan coil units is 1.8 Mpa,if the requirement is over 1.8 Mpa, please indicate when ordering .

SPECIFICATION

- **Forward curved centrifugal fan**
- **Single phase motor & direct drive**
- **Coils: Copper tube & Aluminum fins**
- **Galvanised sheet casing**
- **A3 steel sheet painting drip-tray**

Ceiling Concealed

FCU130DF

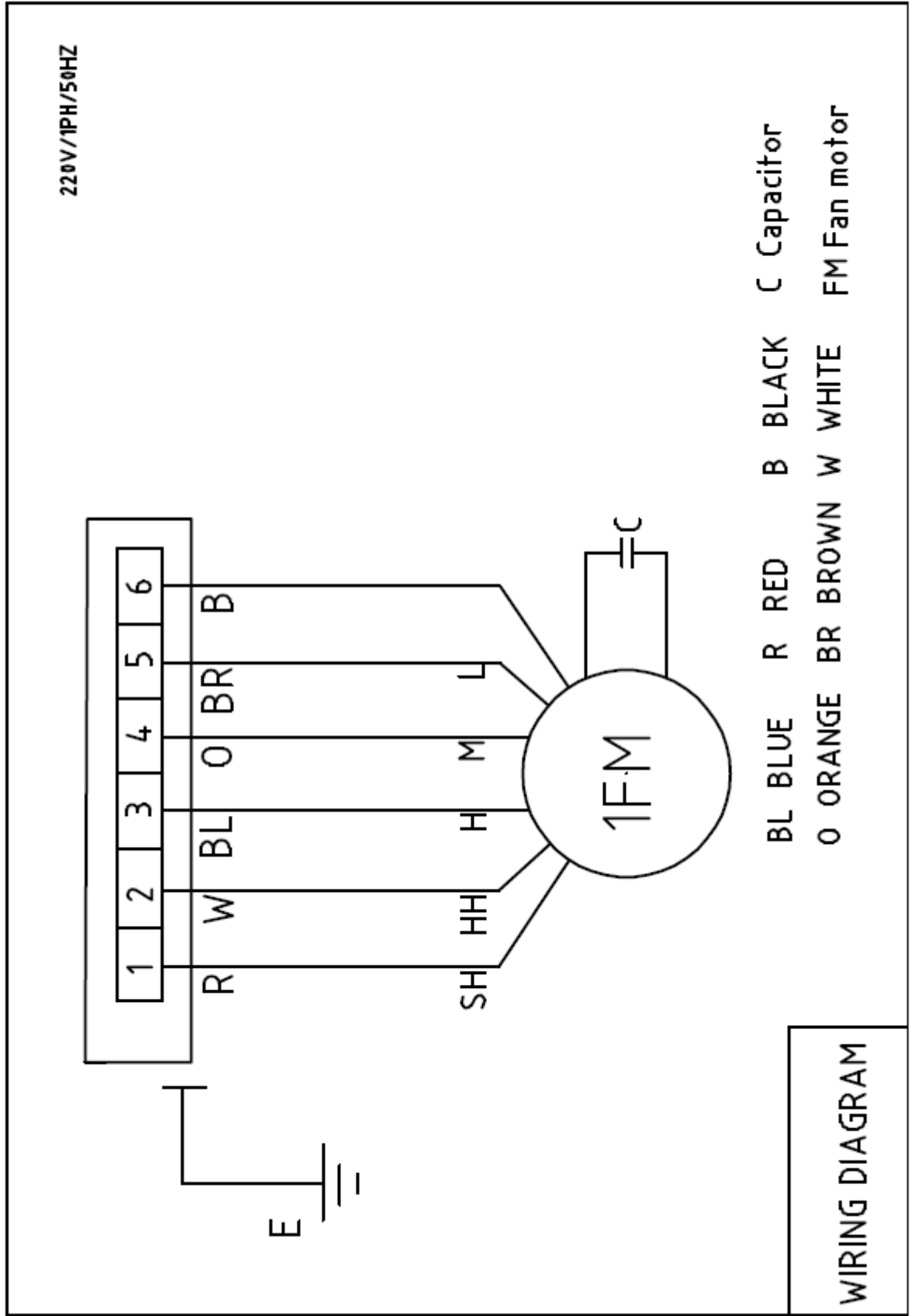


- 1. Condensation 3/4MPT
- 2. Water Inlet 3/4FPT
- 3. Water Outlet 3/4FPT

DRAWN BY:		DATE:	DUNNAIR	
APPROVED Q.A.:		2009/10/12	TITLE: Water Cooled Fan Coil Unit	
MODEL:		APPROVED ENG.:	FCU TYPE	
FCU-130 DF		DRAWING NO.:	ISSUE:	SHEET
		SCALE:	SHEET 1 OF 1	SIZE:
				A4

Ceiling Concealed

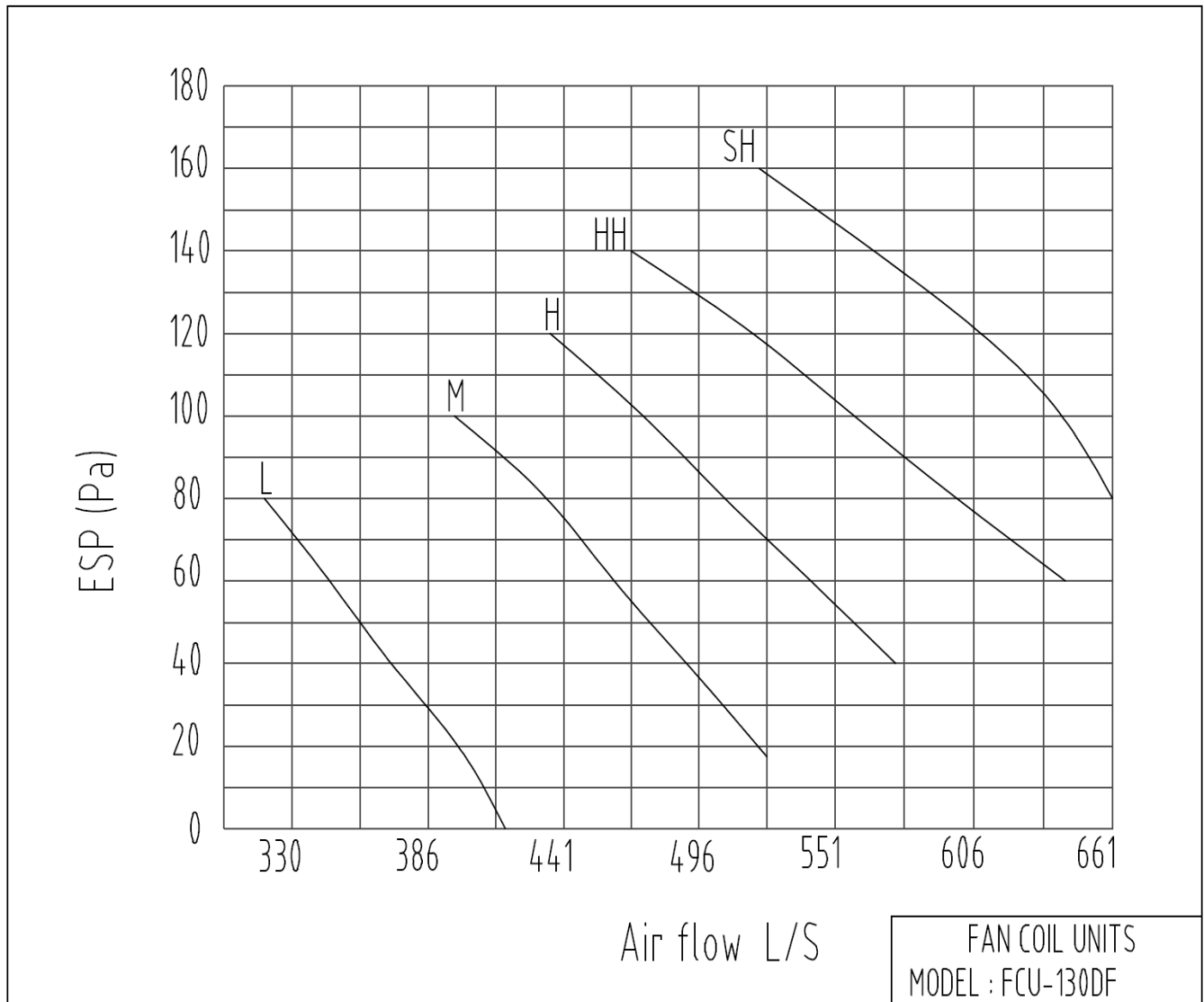
FCU130DF



FAN COIL UNIT

Ceiling Concealed FCU130DF

FAN CURVE



FAN COIL UNIT

Ceiling Concealed FCU130DF

NOISE CURVE

