

Super Slim Ceiling Mounted Air Handling Unit LFPS Series LFPS10

Model Number Configuration

LFPS10-4+1: 4 + 1 Row Super Slim Ceiling Mounted

LFPS10-6+1: 6 + 1 Row Super Slim Ceiling Mounted

PERFORMANCE DATA

RETURN AIR

Model	Air Flow	4 Rows Cooling				1 Row Heating			External Excess Pressure			Motor Power			Weight
		Total	Sensible	Water Flow	Water Resistance	Rated Heating	Water Flow	Water Resistance	I	II	III	I	II	III	
	l/s	kW	kW	l/s	kPa	kW	l/s	kPa	Pa	Pa	Pa	kW	kW	kW	kg
LFPS10-4+1	278	5.6	4.2	0.3	5.2	3.2	0.1	0.7	—	—	190	—	—	0.18	84.2
LFPS10-6+1	278	7.8	5.2	0.4	14.4	3.2	0.1	0.7	—	—	150	—	—	0.18	91

Notes for Return Air:

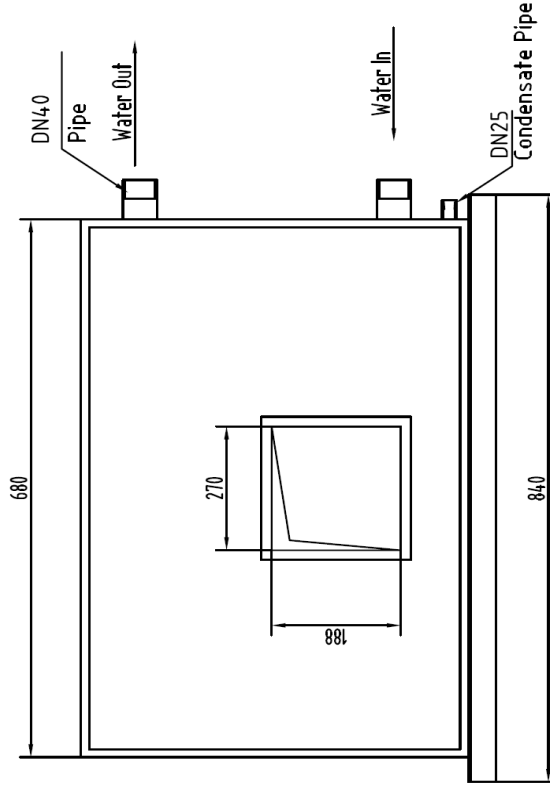
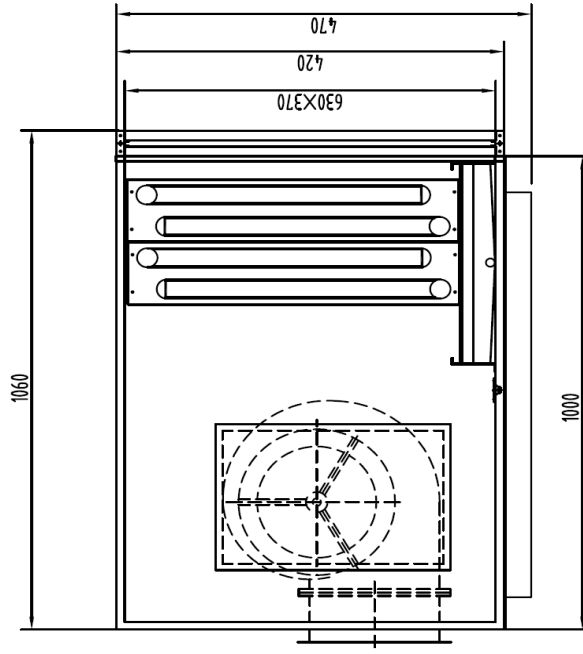
1. Cooling: The water in/out temp. is 7°C/12°C; the air in temp. is 27°C DB / 19.5°C WB
2. Heating: The water in temp. is 80°C / 50°C; the air in temp. is 21°C DB..
3. The motor power offered is the motor output power.
4. The above performance is for reference only. Different air and water conditions would lead to different cooling capacity.

SPECIFICATION

- **Coil:**
LFPS010W-LFPS 120W : ϕ 9.52mm, copper tube, aluminium fins
LFPS135W-LFPS 300W: ϕ 12.7mm, copper tube, aluminium fins
- **Fan and motor:**
LFPS 010W-LFPS025W: direct driven, forward curved centrifugal fan|
LFPS 030W-LFPS 300W: belt driven, forward curved centrifugal fan
- **Filter: 15mm panel filter**
- **Cabinet: 25mm thick double skinned panel**
- **Drip-tray: powder painting steel sheet**

LFPS Series Super Slim Ceiling Mounted LFPS10

Diagrams of: LFPS 010A



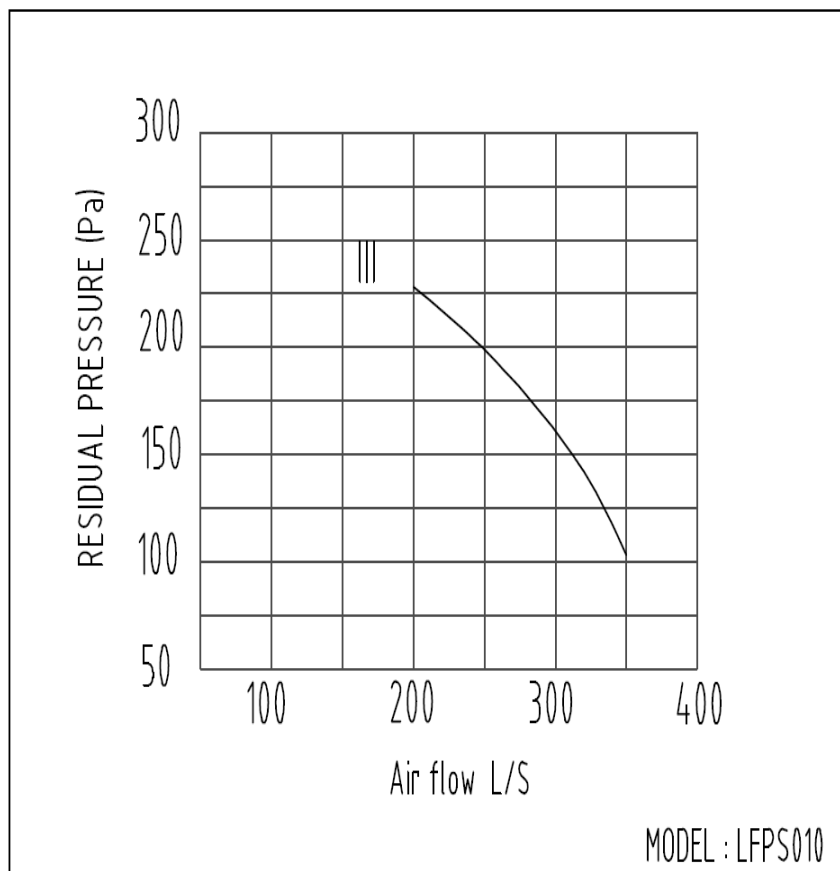
Air Flow l/s.	278
External Overbottom Pressure Pa	190
Coil Rows: Cooling+Heating	4+1
Fan Model (Drive Type)	KDF2WS (Direct Drive)
Motor Power-Pole	0.18KW-4
A FLA	0.65A
Voltage	4/15V/30ph/50HZ
Coil Diameter mm/Fin: length x width mm	φ9.52/420x305
Filter: Length x Width x Thickness mm/quantity	630x364x15/1

Note: The unit shown is of left hand type.

DRAWN BY: GUO JINGPEI	DATE: 23/04/2010	DUNNAIR	
APPROVED O.A.: WU MEIJUN	APPROVED ENG.: ZHANG JINGFEI	TITLE: Water Cooled Fan Coil Unit	
MODEL: LFPS 010A	DRANG NO.:	01	ISSUE:
			01
			SHEET
			SIZE:
			A4

Super Slim Ceiling Mounted *Air Handling Unit* LFPS10

FAN CURVE

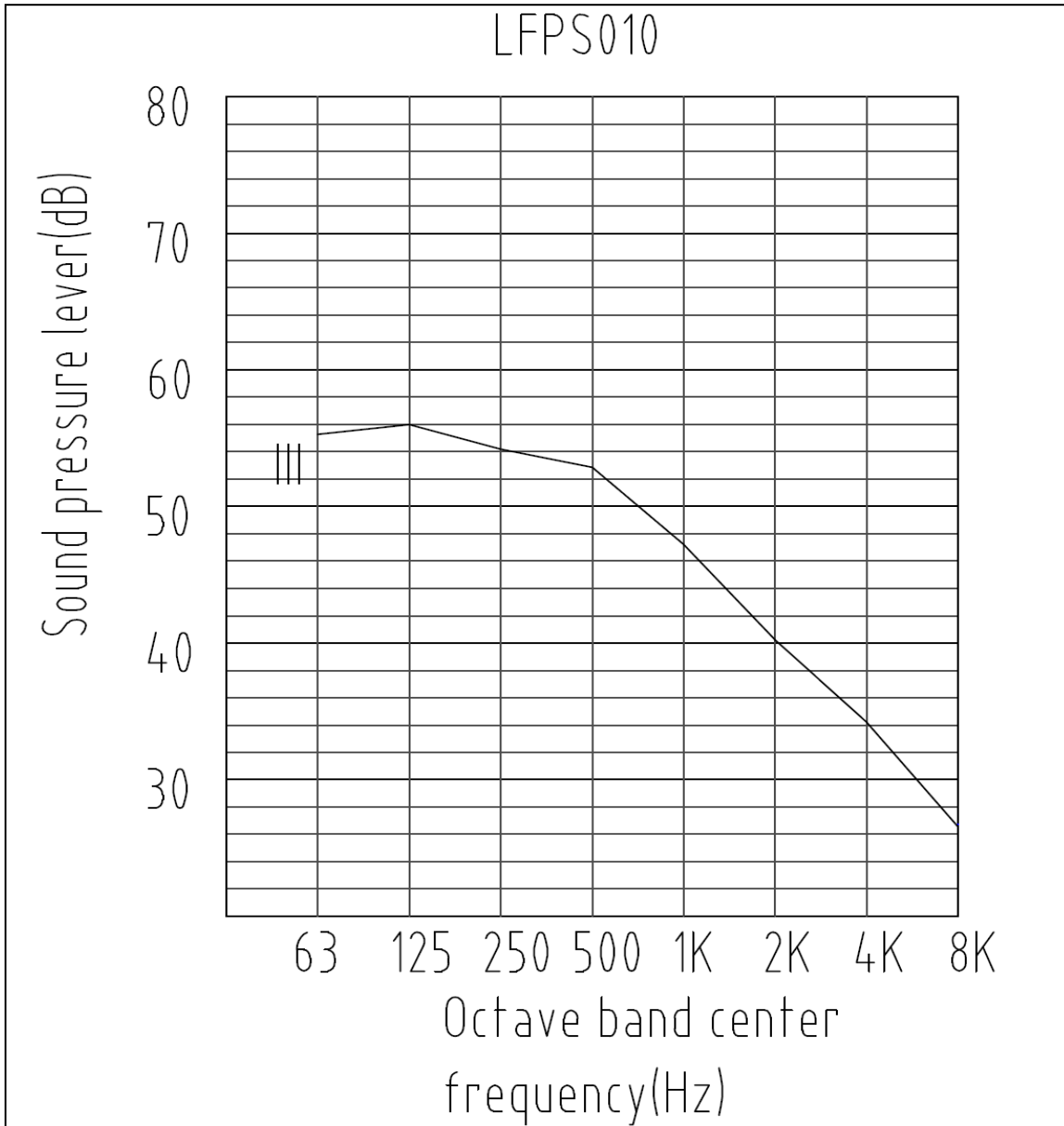



DRAWN BY: GUO JINPENG	DATE: 13/11/2019		
APPROVED O.A.: WU MEIJUN	APPROVED ENG.: ZHANG JINGFEI	TITLE:Water Cooled Fan Coil Unit LFPS TYPE	
MODEL: LFPS010	DRAWING NO.: 01	ISSUE: 01	SHEET SIZE: A4

Super Slim Ceiling Mounted _{Air} Handling Unit

LFPS10

NOISE CURVE



DRAWN BY: GUO JINGPENG	DATE: 14/11/2009			
APPROVED Q.A.: WU MEIJUN	APPROVED ENG.: ZHANG JINGFEI	TITLE: Water Cooled Fan Coil Unit LFPS TYPE		
MODEL: LFPS010	DRAWING NO.:	ISSUE:	SHEET SIZE:	
	01	01	A4	