

# Super Slim Ceiling Mounted Air Handling Unit LFPS Series LFPS90

## Model Number Configuration

LFPS90-4+1: 4 + 1 Row Super Slim Ceiling Mounted

LFPS90-6+1: 6 + 1 Row Super Slim Ceiling Mounted

## PERFORMANCE DATA

### RETURN AIR

Model	Air Flow	4 Rows Cooling				1 Row Heating			External Excess Pressure			Motor Power			Weight
		Total	Sensible	Water Flow	Water Resistance	Rated Heating	Water Flow	Water Resistance	I	II	III	I	II	III	
		l/s	kW	kW	l/s	kPa	kW	l/s	kPa	Pa	Pa	Pa	kW	kW	
LFPS90-4+1	2500	57.5	40.1	2.7	20.1	36.1	0.9	23.4	200	300	400	2.2	3	3	325.5
LFPS90-6+1	2500	69.6	46.6	3.3	13.8	36.1	0.9	23.4	200	300	400	2.2	3	4	360.5

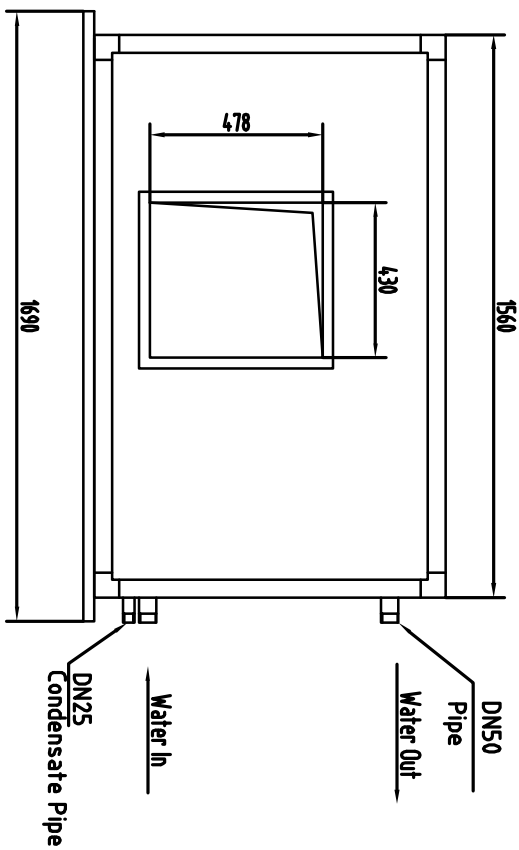
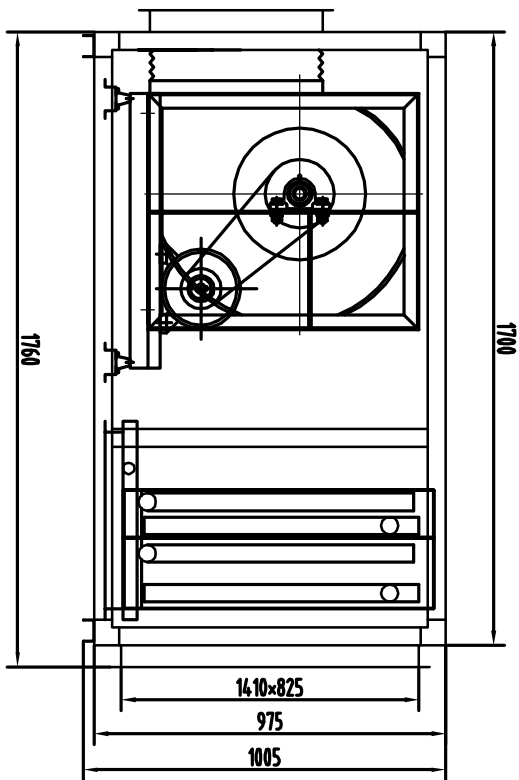
### Notes for Return Air:

1. Cooling: The water in/out temp. is 7°C/12°C; the air in temp. is 27°C DB / 19.5°C WB
2. Heating: The water in temp. is 80°C / 50°C; the air in temp. is 21°C DB..
3. The motor power offered is the motor output power.
4. The above performance is for reference only. Different air and water conditions would lead to different cooling capacity.

## SPECIFICATION


- **Coil:**  
LFPS010W-LFPS 120W :  $\phi$  9.52mm, copper tube, aluminium fins  
LFPS135W-LFPS 300W:  $\phi$  12.7mm, copper tube, aluminium fins
- **Fan and motor:**  
LFPS 010W-LFPS025W: direct driven, forward curved centrifugal fan|  
LFPS 030W-LFPS 300W: belt driven, forward curved centrifugal fan
- **Filter: 15mm panel filter**
- **Cabinet: 25mm thick double skinned panel**
- **Drip-tray: powder painting steel sheet**

Diagrams of: LFPS 090



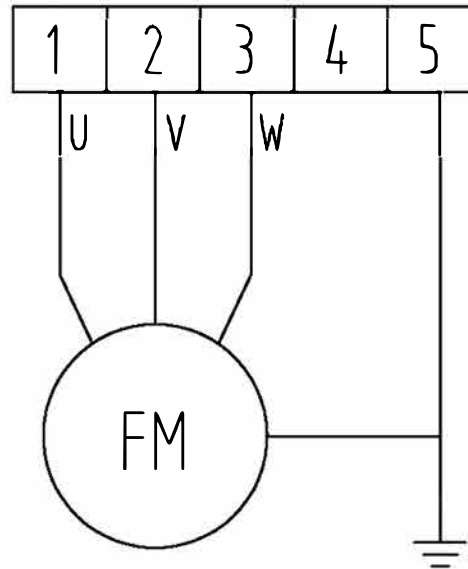
Air Flow l/s	2500			
External Overbottom Pressure Pa	200		300	
Coil Rows: Cooling+Heating	4+1	6+1	4+1	6+1
Fan Model(Drive Type)	KDF118-13K(Belt Drive)			
Fan Speed r/min	658	696	730	765
Motor Pulley	SPA85-2	SPA85-2	SPA100-2	SPA100-2
Fan pulley	SPA180-2	SPA170-2	SPA190-2	SPA180-2
Belt Model/Quantity	SPA1180/2	SPA1180/2	SPA1232/2	SPA1232/2
Motor Power-Pole	2.2KW-4	2.2KW-4	3KW-4	3KW-4
A FLA	4.7A	4.7A	6.2A	6.2A
Voltage	415V/3Ph/50HZ			
Coil Diameter mm/Fins:lengthxWidth mm	3/8"(φ9.52)/1290x813(Tube no:32)			
Filter: lengthx widthx Thickness mm/quantity	4.67x817x5/3			

Note: The unit shown is of left hand type.

DRAWN BY: GUO JINGPENG	DATE: 24/02/2012	 TITLE: Water Cooled Fan Coil Unit LFPS TYPE
APPROVED D.A.: WU MEIJUN	APPROVED ENG.: ZHANG JINGFEI	
MODEL: LFPS 090	DRANG NO.: 01	ISSUE: 01
		SHEET SIZE: A4

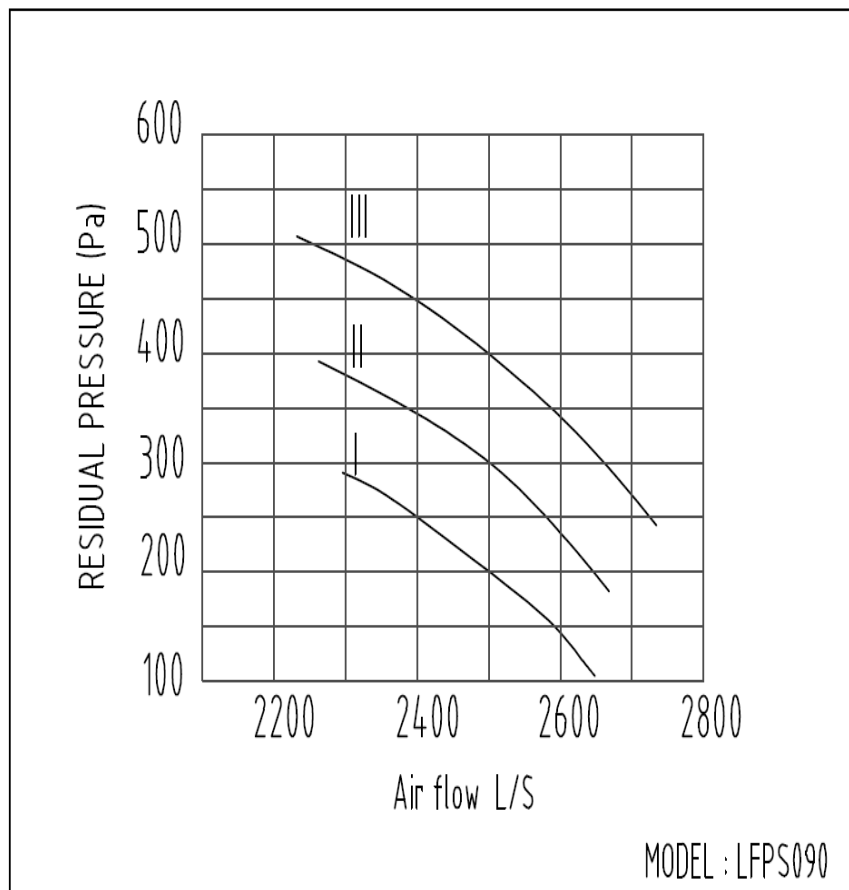
# Wiring Diagram


415V/3Ph/50Hz



# Super Slim Ceiling Mounted *Air Handling Unit* LFPS90

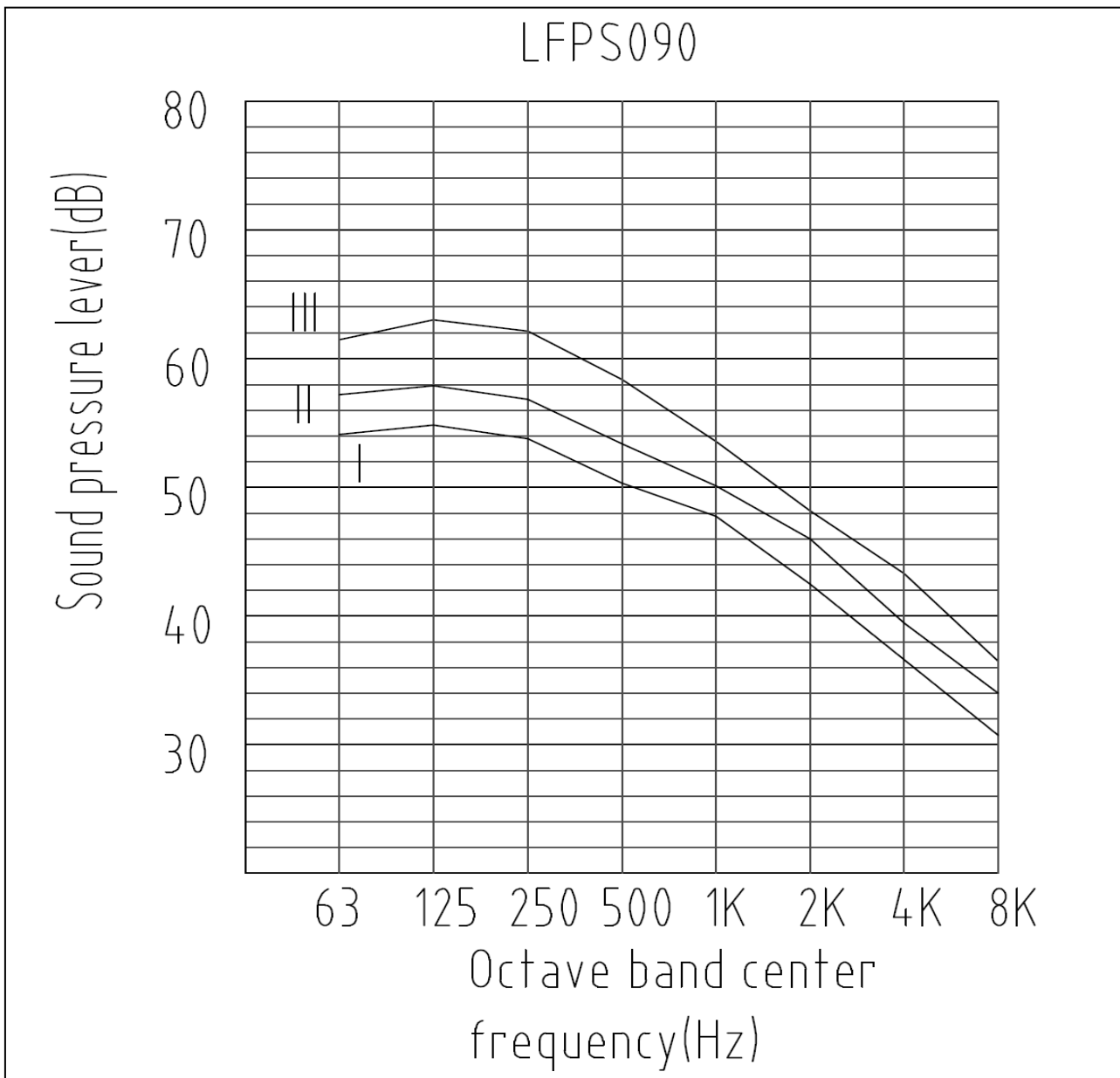
## FAN CURVE




DRAWN BY: GUO JINGPENG	DATE: 13/11/2009		
APPROVED Q.A.: WU MEIJUN	APPROVED ENG.: ZHANG JINGFEI	TITLE:Water Cooled Fan Coil Unit LFPS TYPE	
MODEL: LFPS090	DRAWING NO.: 01	ISSUE: 01	SHEET SIZE: A4

# Super Slim Ceiling Mounted *Air Handling Unit* LFPS90

## NOISE CURVE



DRAWN BY: GUO JINGPENG	DATE: 14/11/2009		
APPROVED Q.A.: WU MEIJUN	APPROVED ENG.: ZHANG JINGFEI	TITLE: Water Cooled Fan Coil Unit LFPS TYPE	
MODEL: LFPS090	DRAWING NO.: 01	ISSUE: 01	SHEET SIZE: A4