

Super Slim Ceiling Mounted Air Handling Unit LFPS Series LFPS80

Model Number Configuration

LFPS80-4+1: 4 + 1 Row Super Slim Ceiling Mounted

LFPS80-6+1: 6 + 1 Row Super Slim Ceiling Mounted

PERFORMANCE DATA

RETURN AIR

Model	Air Flow	4 Rows Cooling				1 Row Heating			External Excess Pressure			Motor Power			Weight
		Total	Sensible	Water Flow	Water Resistance	Rated Heating	Water Flow	Water Resistance	I	II	III	I	II	III	
		l/s	kW	kW	l/s	kPa	kW	l/s	kPa	Pa	Pa	Pa	kW	kW	
LFPS80-4+1	2222	50.8	35.5	2.4	20.4	31.8	0.8	23.8	180	250	350	1.5	2.2	3	288.1
LFPS80-6+1	2222	61.6	41.3	2.9	14.1	31.8	0.8	23.8	180	250	350	2.2	3	3	328.1

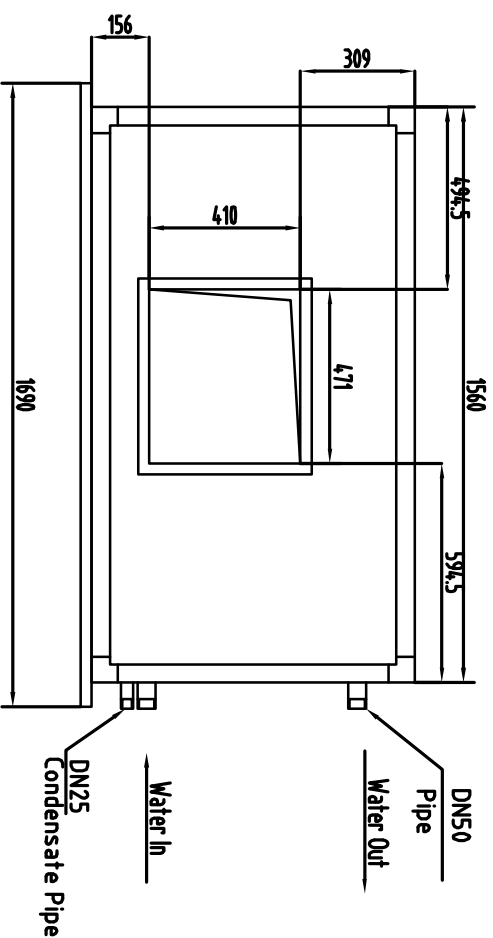
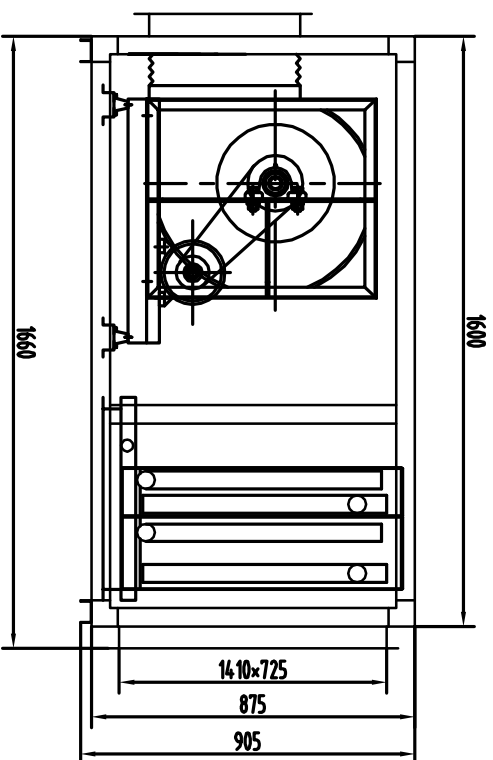
Notes for Return Air:

1. Cooling: The water in/out temp. is 7°C/12°C; the air in temp. is 27°C DB / 19.5°C WB
2. Heating: The water in temp. is 80°C / 50°C; the air in temp. is 21°C DB..
3. The motor power offered is the motor output power.
4. The above performance is for reference only. Different air and water conditions would lead to different cooling capacity.

SPECIFICATION

- **Coil:**
LFPS010W-LFPS 120W : ϕ 9.52mm, copper tube, aluminum fins
LFPS135W-LFPS 300W: ϕ 12.7mm, copper tube, aluminum fins
- **Fan and motor:**
LFPS 010W-LFPS025W: direct driven, forward curved centrifugal fan|
LFPS 030W-LFPS 300W: belt driven, forward curved centrifugal fan
- **Filter: 15mm panel filter**
- **Cabinet: 25mm thick double skinned panel**
- **Drip-tray: powder painting steel sheet**

Diagrams of: LFPS 080



Air Flow l/s	2222			
External Overbottom Pressure Pa	180		250	
Coil Rows:(cooling+Heating)	4+1	6+1	4+1	6+1
Fan Model(Drive Type)	KDF115-15K(Belt Drive)			
Fan Speed r/min	758	798	832	855
Motor Pulley	SPA90-1	SPA85-2	SPA85-2	SPA95-2
Fan pulley	SPA170-1	SPA150-2	SPA140-2	SPA160-2
Belt Model/Quantity	SPA1107/1	SPA1062/2	SPA1032/2	SPA1082/2
Motor Power-Pole	1.5KW-4	2.2KW-4	2.2KW-4	3KW-4
A FLA	3.4A	4.7A	4.7A	6.2A
Voltage	415V/3Ph/50HZ			
Coil Diameter mm/Fins:lengthxWidth mm	3/8"(ø9.52/1290x711)(tube no:28)			
Filter:lengthxwidthxThickness mm/quantity	467x177x15/3			

Note:The unit shown is of left hand type.

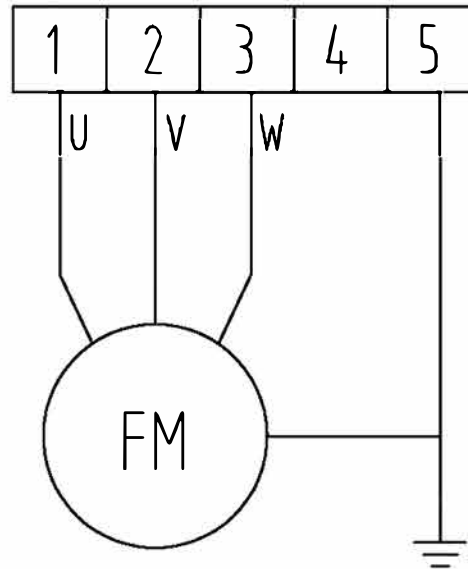
DRAWN BY: GUO JINGPENG	DATE: 24/02/2012	
APPROVED O.A.: WU MEIJUN	APPROVED ENG.: ZHANG JINGFEI	

TITLE:Water Cooled Fan Coil Unit
LFPS TYPE

MODEL: LFPS 080	DRANG NO.: 01	ISSUE: 01	SHEET SIZE: A4
--------------------	------------------	--------------	----------------------

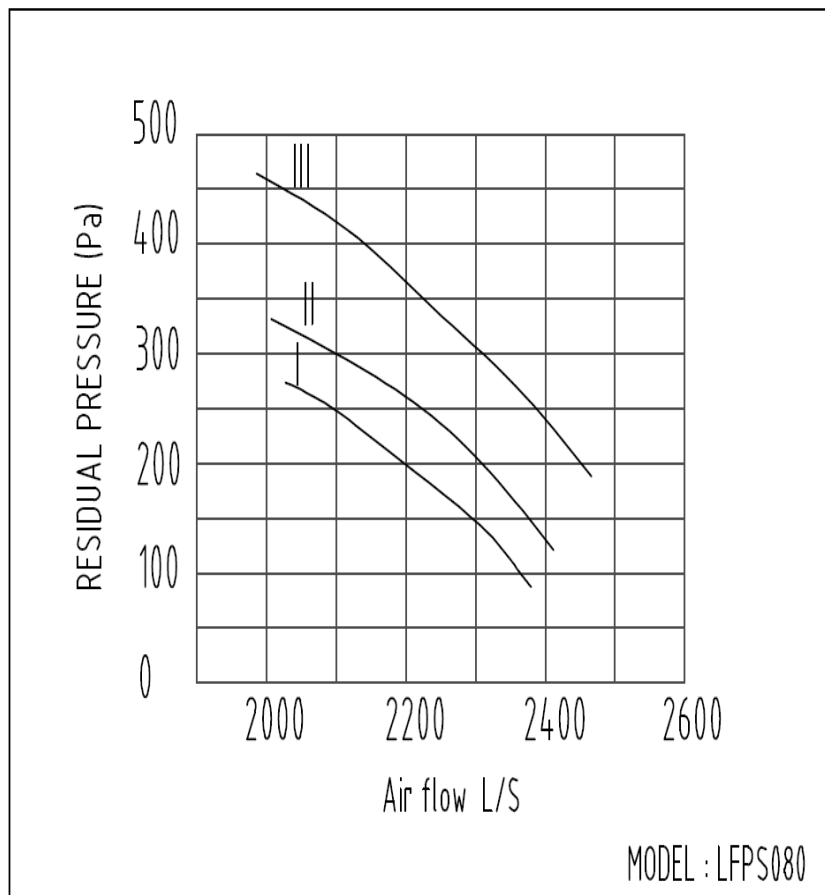
Wiring Diagram

415V/3Ph/50Hz



Super Slim Ceiling Mounted *Air Handling Unit* LFPS80

FAN CURVE



DRAWN BY: GUO JINGPENG	DATE: 13/11/2019		
APPROVED Q.A.: WU MEIJUN	APPROVED ENG.: ZHANG JINGFEI	TITLE:Water Cooled Fan Coil Unit LFPS TYPE	
MODEL: LFPS080	DRAWING NO.: 01	ISSUE: 01	SHEET SIZE: A4

Super Slim Ceiling Mounted *Air Handling Unit* LFPS80

NOISE CURVE

