

# Super Slim Ceiling Mounted Air Handling Unit LFPS Series LFPS70

## Model Number Configuration

LFPS70-4+1: 4 + 1 Row Super Slim Ceiling Mounted

LFPS70-6+1: 6 + 1 Row Super Slim Ceiling Mounted

## PERFORMANCE DATA

### RETURN AIR

Model	Air Flow	4 Rows Cooling				1 Row Heating			External Excess Pressure			Motor Power			Weight
		Total	Sensible	Water Flow	Water Resistance	Rated Heating	Water Flow	Water Resistance	I	II	III	I	II	III	
		l/s	kW	kW	l/s	kPa	kW	l/s	kPa	Pa	Pa	Pa	kW	kW	
LFPS70-4+1	1944	46.0	31.7	2.2	34.1	27.4	0.7	16.3	180	250	350	1.5	2.2	2.2	217.7
LFPS70-6+1	1944	56.6	37.3	2.7	33.4	27.4	0.7	16.3	180	250	350	2.2	2.2	2.2	277.7

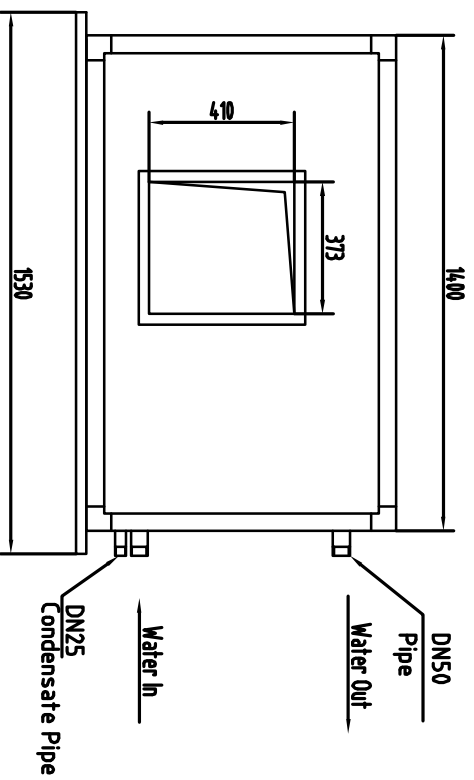
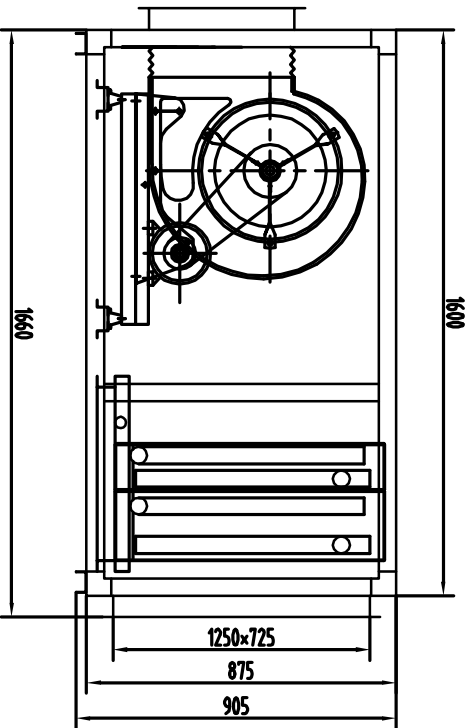
### Notes for Return Air:

1. Cooling: The water in/out temp. is 7°C/12°C; the air in temp. is 27°C DB / 19.5°C WB
2. Heating: The water in temp. is 80°C / 50°C; the air in temp. is 21°C DB..
3. The motor power offered is the motor output power.
4. The above performance is for reference only. Different air and water conditions would lead to different cooling capacity.

## SPECIFICATION


- **Coil:**  
 LFPS010W-LFPS 120W :  $\phi$  9.52mm, copper tube, aluminium fins  
 LFPS135W-LFPS 300W:  $\phi$  12.7mm, copper tube, aluminium fins
- **Fan and motor:**  
 LFPS 010W-LFPS025W: direct driven, forward curved centrifugal fan|  
 LFPS 030W-LFPS 300W: belt driven, forward curved centrifugal fan
- **Filter: 15mm panel filter**
- **Cabinet: 25mm thick double skinned panel**
- **Drip-tray: powder painting steel sheet**

Diagrams of LFPS 070



Air Flow l/s:	180		250		350	
External Overbottom Pressure Pa	4+1		6+1		4+1	
Coil Rows: Cooling+Heating	4+1		6+1		4+1	
Fan Model(Drive Type)	KDF15-11L(Belt Drive)					
Fan Speed r/min	734	778	795	834	870	900
Motor Pulley	SPA90-1	SPA85-2	SPA85-2	SPA85-2	SPA90-2	SPA90-2
Fan pulley	SPA170-1	SPA150-2	SPA150-2	SPA140-2	SPA140-2	SPA140-2
Belt Model/Quantity	SPA1107/1	SPA1062/2	SPA1062/2	SPA1032/2	SPA1060/2	SPA1060/2
Motor Power-Pole	1.5KW-4	2.2KW-4	2.2KW-4	2.2KW-4	2.2KW-4	2.2KW-4
A FLA	3.4A	4.7A	4.7A	4.7A	4.7A	4.7A
Voltage	4.15V/3Ph/50HZ					
Coil Diameter mm/Fins:LengthxWidth mm	3/8"(φ9.52/1130x711)(tube no:28)					
Filter:LengthxWidthx Thickness mm/quantity	621x171x15/2					

Note:The unit shown is of left hand type.

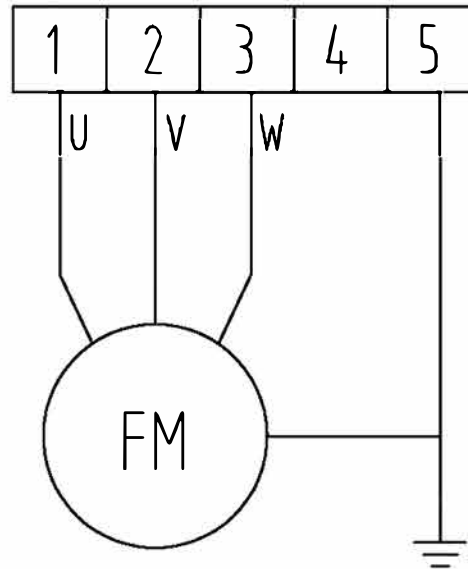
DRAWN BY: GUO JINGPENG	DATE: 24/02/2012	
APPROVED O.A.: WU MELUN	APPROVED ENG.: ZHANG JINGFEI	

MODEL: LFPS 070	TITLE:Water Cooled Fan Coil Unit LFPS TYPE
--------------------	---

DRANG NO.: 01	ISSUE: 01	SHEET SIZE: A4
------------------	--------------	----------------------

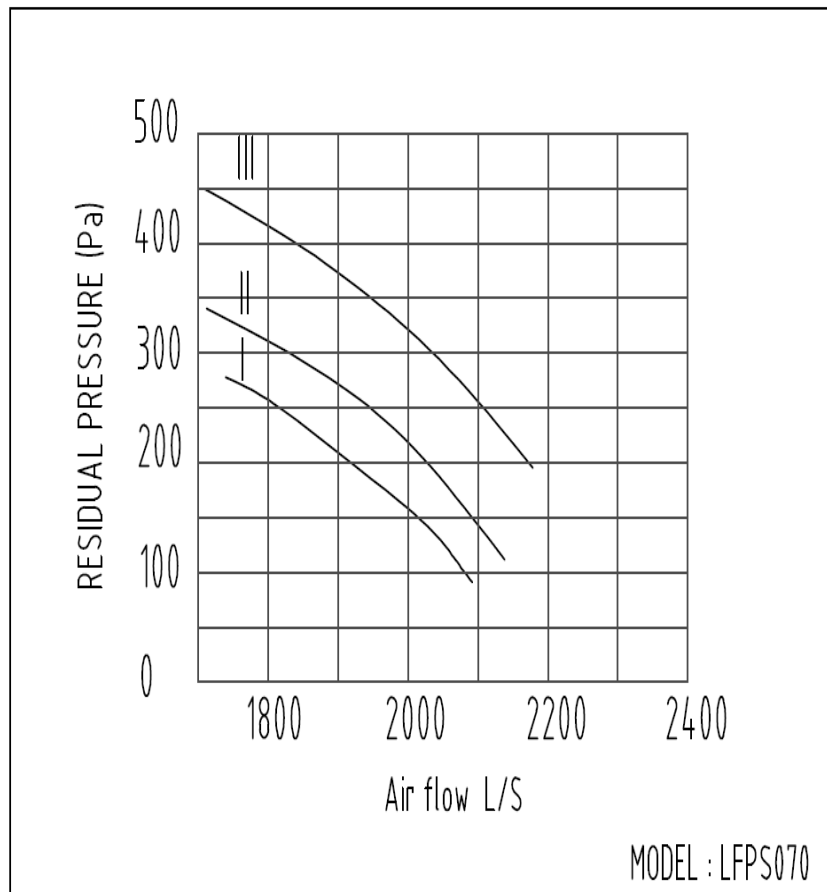
# Wiring Diagram

415V/3Ph/50Hz



# Super Slim Ceiling Mounted *Air Handling Unit* LFPS70

## FAN CURVE



DRAWN BY: GUO JINGPENG	DATE: 13/11/2009		
APPROVED O.A.: WU MEIJUN	APPROVED ENG.: ZHANG JINGFEI	TITLE: Water Cooled Fan Coil Unit LFPS TYPE	
MODEL: LFPS070	DRAWING NO.: 01	ISSUE: 01	SHEET SIZE: A4

# Super Slim Ceiling Mounted *Air Handling Unit* LFPS70

## NOISE CURVE

