

Super Slim Ceiling Mounted Air Handling Unit LFPS Series LFPS60

Model Number Configuration

LFPS60-4+1: 4 + 1 Row Super Slim Ceiling Mounted

LFPS60-6+1: 6 + 1 Row Super Slim Ceiling Mounted

PERFORMANCE DATA

RETURN AIR

Model	Air Flow	4 Rows Cooling				1 Row Heating			External Excess Pressure			Motor Power			Weight
		Total	Sensible	Water Flow	Water Resistance	Rated Heating	Water Flow	Water Resistance	I	II	III	I	II	III	
		l/s	kW	kW	l/s	kPa	kW	l/s	kPa	Pa	Pa	Pa	kW	kW	
LFPS60-4+1	1667	37.4	26.3	1.8	20.1	22.5	0.5	9.8	150	200	300	1.1	1.5	1.5	191.8
LFPS60-6+1	1667	46.6	31.1	2.2	20.2	22.5	0.5	9.8	150	200	300	1.5	1.5	2.2	232.8

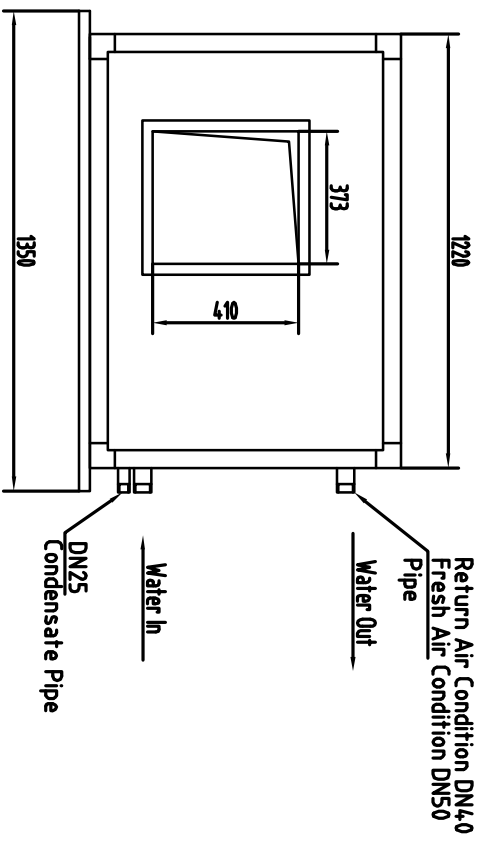
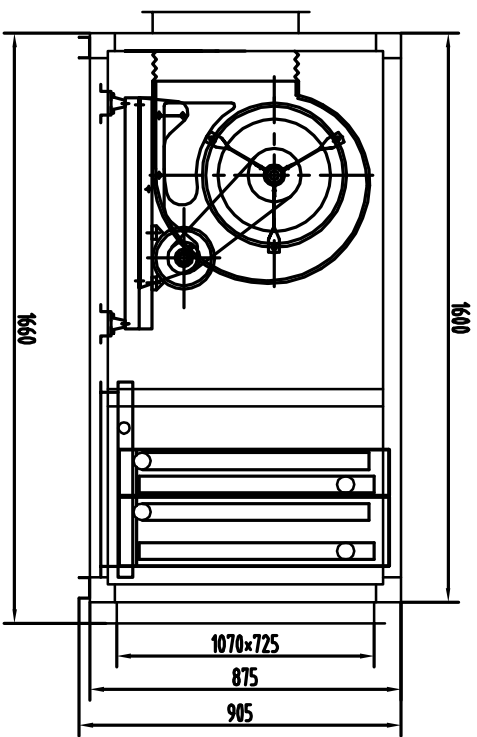
Notes for Return Air:

1. Cooling: The water in/out temp. is 7°C/12°C; the air in temp. is 27°C DB / 19.5°C WB
2. Heating: The water in temp. is 80°C / 50°C; the air in temp. is 21°C DB..
3. The motor power offered is the motor output power.
4. The above performance is for reference only. Different air and water conditions would lead to different cooling capacity.

SPECIFICATION

- **Coil:**
LFPS010W-LFPS 120W : ϕ 9.52mm, copper tube, aluminium fins
LFPS135W-LFPS 300W: ϕ 12.7mm, copper tube, aluminium fins
- **Fan and motor:**
LFPS 010W-LFPS025W: direct driven, forward curved centrifugal fan|
LFPS 030W-LFPS 300W: belt driven, forward curved centrifugal fan
- **Filter: 15mm panel filter**
- **Cabinet: 25mm thick double skinned panel**
- **Drip-tray: powder painting steel sheet**

Diagrams of: LFPS 060



Air Flow U/s.	1667			
External Overbottom Pressure Pa	150	200	300	
Coil Rows:cooling+heating	4+1	6+1	4+1	6+1
Fan Model(Drive Type)	KDF15-11L(Belt Drive)			
Fan Speed r/min	687	740	730	781
Motor Pulley	SPA85-1	SPA90-1	SPA90-1	SPA90-1
Fan pulley	SPA170-1	SPA170-1	SPA170-1	SPA160-1
Belt Model/Quantity	SPA1082/1	SPA1107/1	SPA1107/1	SPA1082/1
Motor Power-Pole	1.1KW-4	1.5KW-4	1.5KW-4	1.5KW-4
A FLA	2.6A	3.4A	3.4A	3.4A
Voltage	415V/3PH/50HZ			
Coil Diameter mm/Fins:lengthxwidth mm	3/8"(ø9.52)/950x711(tube no:28)			
Filter:lengthxwidthxthickness mm/quantity	53x171x15/2			

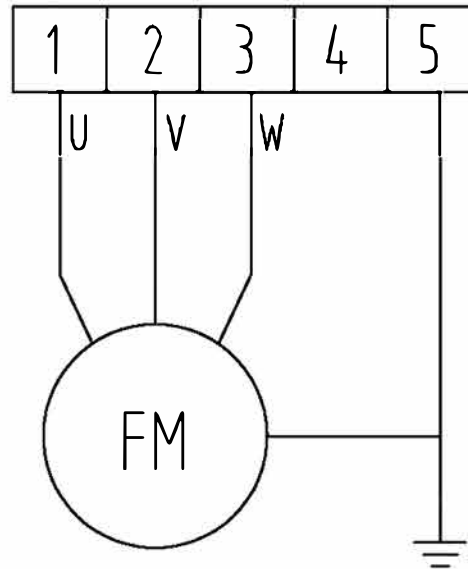
Note: The unit shown is of left hand type.



DRAWN BY: GUO JINGPENG	DATE: 24/02/2012	TITLE:Water Cooled Fan Coil Unit	
APPROVED O.A.: WU HEJUN	APPROVED ENG.: ZHANG JINGFEI	LFPS TYPE	
MODEL: LFPS 060	DRANG NO.: 01	ISSUE: 01	SHEET SIZE: A4

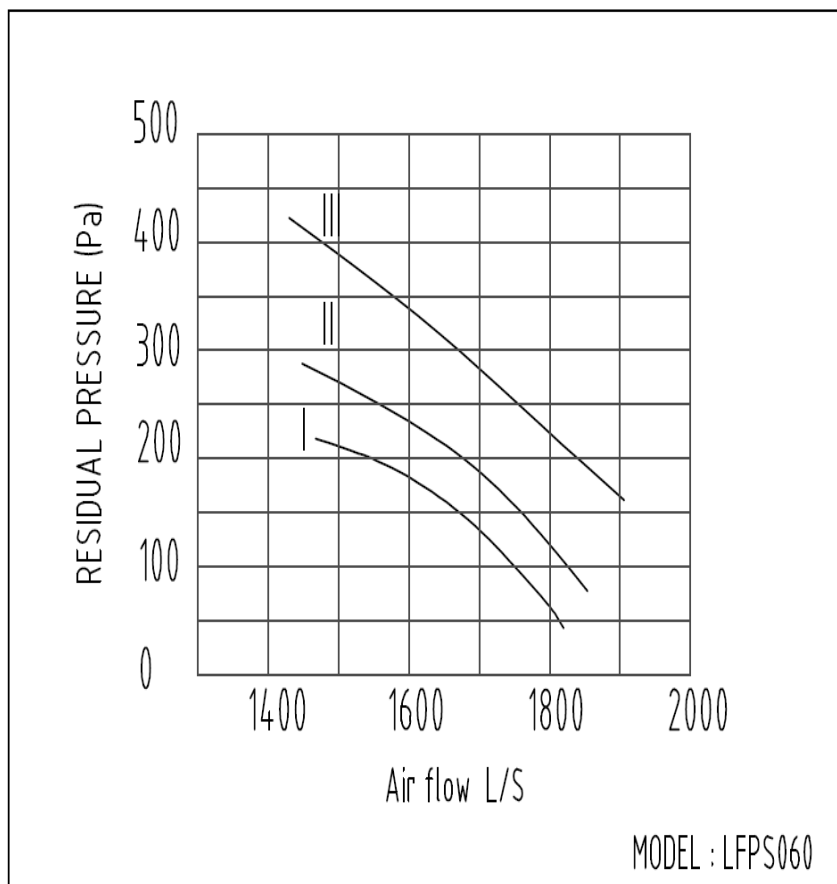
Wiring Diagram

415V/3Ph/50Hz



Super Slim Ceiling Mounted *Air Handling Unit* LFPS60

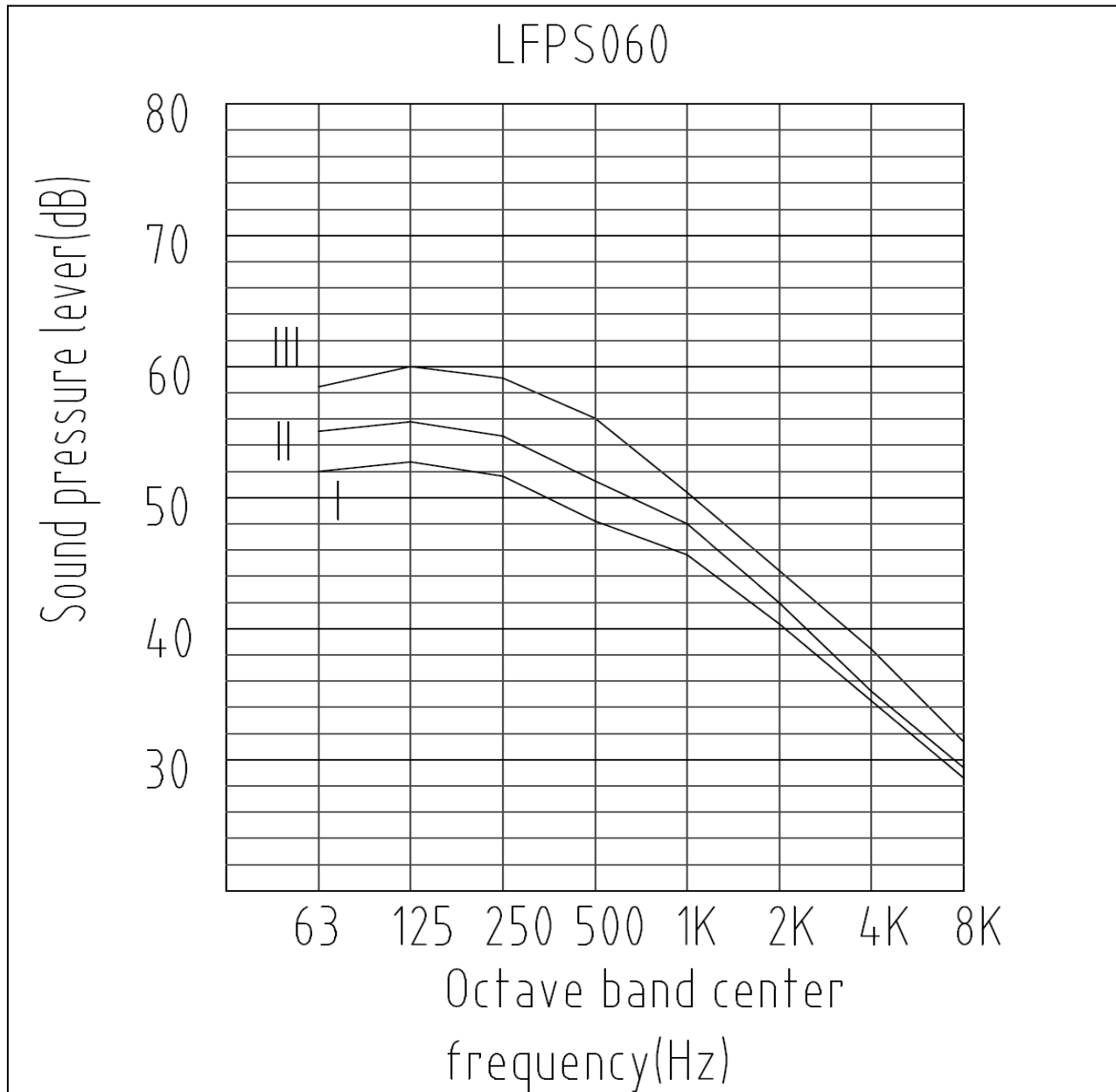
FAN CURVE




DRAWN BY: GUO JINGPENG	DATE 13/11/2019		
APPROVED O.A.: WU MEIJUN	APPROVED ENG.: ZHANG JINGFEI	TITLE:Water Cooled Fan Coil Unit LFPS TYPE	
MODEL: LFPS060	DRAWING NO.: 01	ISSUE: 01	SHEET SIZE: A4

Super Slim Ceiling Mounted *Air Handling Unit* LFPS60

NOISE CURVE



DRAWN BY: GUD JINGPENG	DATE: 14/11/2009		
APPROVED Q.A.: WU MEIJUN	APPROVED ENG.: ZHANG JINGFEI	TITLE: Water Cooled Fan Coil Unit LFPS TYPE	
MODEL: LFPS060	DRAWING NO.: 01	ISSUE: 01	SHEET SIZE: A4