

Super Slim Ceiling Mounted Air Handling Unit LFPS Series LFPS25

Model Number Configuration

LFPS25-4+1: 4 + 1 Row Super Slim Ceiling Mounted

LFPS25-6+1: 6 + 1 Row Super Slim Ceiling Mounted

PERFORMANCE DATA

RETURN AIR

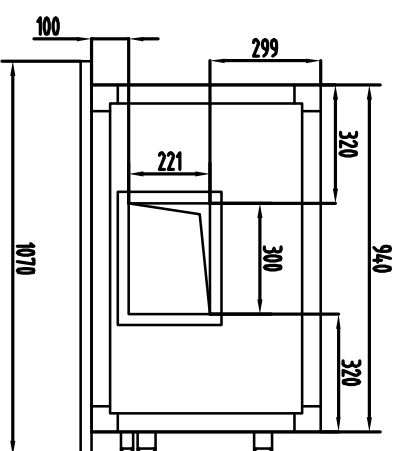
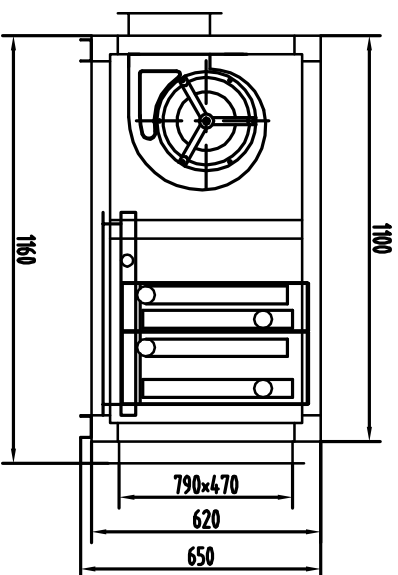
Model	Air Flow	4 Rows Cooling				1 Row Heating			External Excess Pressure			Motor Power			Weight
		Total	Sensible	Water Flow	Water Resistance	Rated Heating	Water Flow	Water Resistance	I	II	III	I	II	III	
		l/s	kW	kW	l/s	kPa	kW	l/s	kPa	Pa	Pa	Pa	kW	kW	
LFPS25-4+1	694	16.2	11.2	0.8	23.6	9.1	0.2	3.2	—	—	190	—	—	0.32	115.6
LFPS25-6+1	694	19.6	13.1	0.9	16.1	9.1	0.2	3.2	—	—	230	—	—	0.45	125.6

Notes for Return Air:

1. Cooling: The water in/out temp. is 7°C/12°C; the air in temp. is 27°C DB / 19.5°C WB
2. Heating: The water in temp. is 80°C / 50°C; the air in temp. is 21°C DB..
3. The motor power offered is the motor output power.
4. The above performance is for reference only. Different air and water conditions would lead to different cooling capacity.

SPECIFICATION


- **Coil:**
LFPS010W-LFPS 120W : ϕ 9.52mm, copper tube, aluminium fins
LFPS135W-LFPS 300W: ϕ 12.7mm, copper tube, aluminium fins
- **Fan and motor:**
LFPS 010W-LFPS025W: direct driven, forward curved centrifugal fan|
LFPS 030W-LFPS 300W: belt driven, forward curved centrifugal fan
- **Filter: 15mm panel filter**
- **Cabinet: 25mm thick double skinned panel**
- **Drip-tray: powder painting steel sheet**



Return Air Condition DN4.0
 Fresh Air Condition DN5.0
 Pipe
 Water Out
 Water In
 DN25
 Condensate Pipe

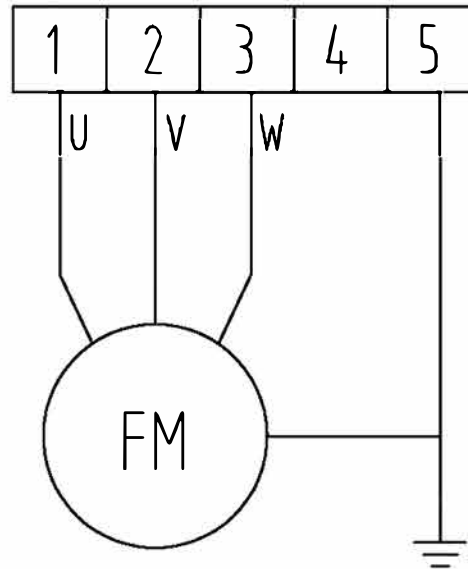
Air Flow l/s	694	
External Overbottom Pressure Pa	190	230
Coil Rows:cooling+heating	4+1	6+1
Fan Model(Drive Type)	KDF2.25WS(Direct Drive)	
Motor Power-Pole	0.32KW-4	0.45KW-4
A.F.L.A	1.0A	1.2A
Voltage	415V/30ph/50HZ	
Coil Diameter mm/Fins:LengthxWidth mm	3/8"(ø9.52)/670x457(tube no:18)	
Filter:LengthxWidthx Thickness mm/quantity	391x462x15/2	

Note:The unit shown is of left hand type.

DRAWN BY: GUO JINGPENG		DATE: 24/02/2012			
APPROVED Q.A.: WU MEIJUN		APPROVED ENG.: ZHANG JINGFEI			
MODEL: LFPS 025		DRANG NO.:		TITLE:Water Cooled Fan Coil Unit LFPS TYPE	
		01		ISSUE: 01	
				SHEET SIZE: A4	

Wiring Diagram

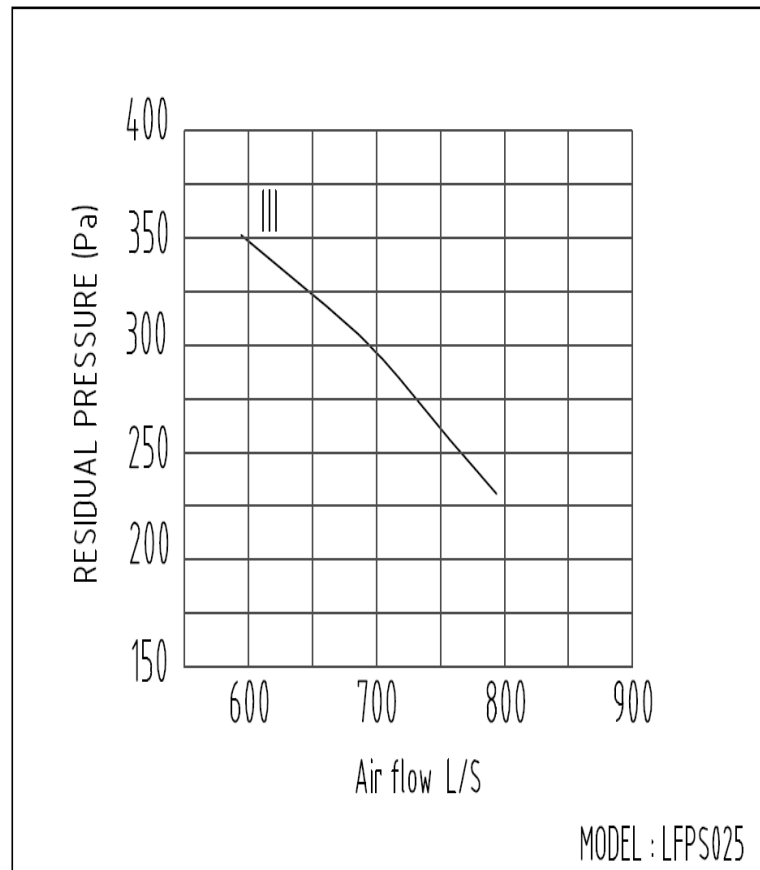
415V/3Ph/50Hz




Super Slim Ceiling Mounted

LFPS Series LFPS25

FAN CURVE

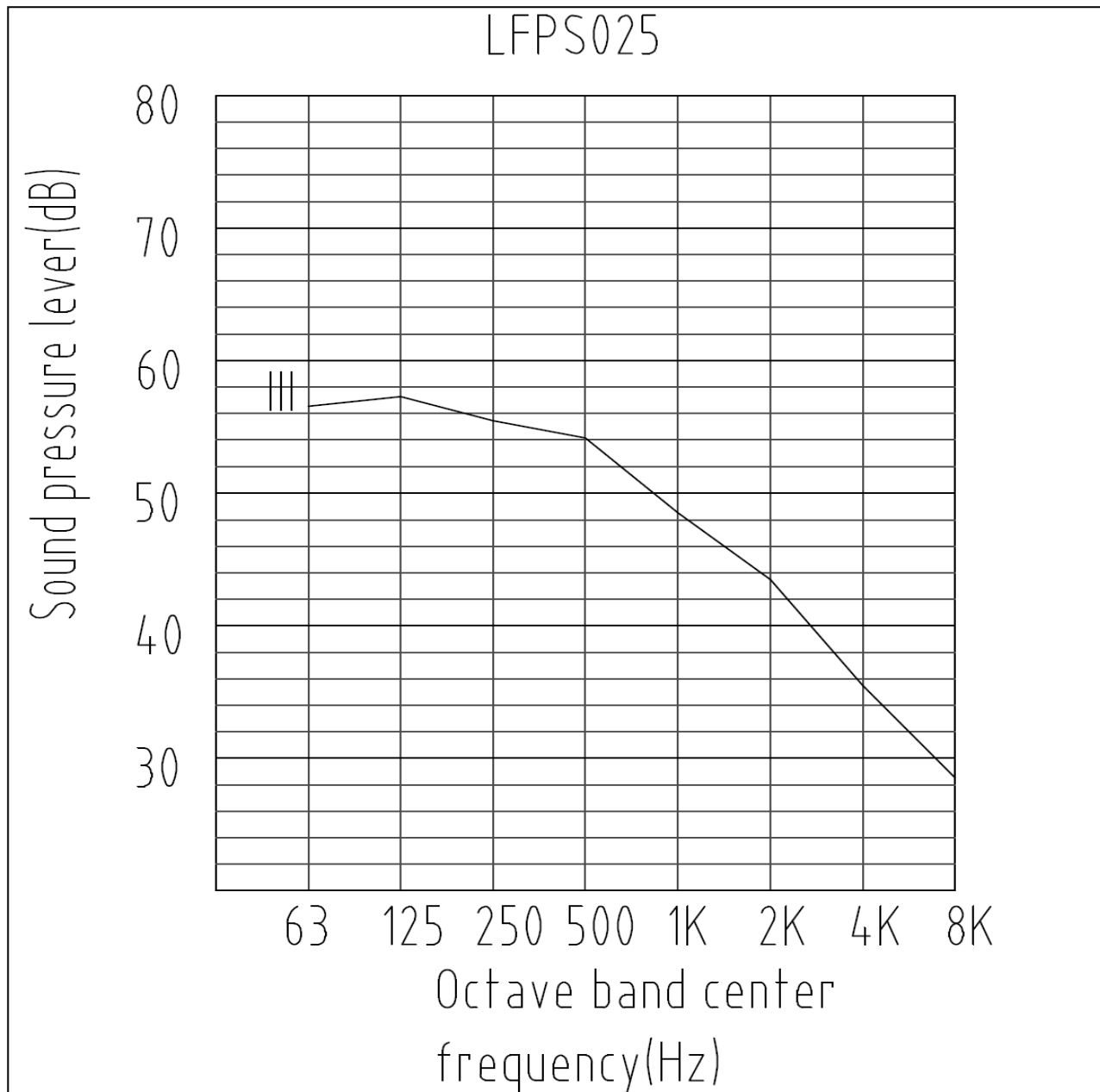



DRAWN BY: GUO JINSPENG	DATE: 13/11/2019		
APPROVED O.A.: WU MEIJUN	APPROVED ENG.: ZHANG JINFEI	TITLE:Water Cooled Fan Coil Unit LFPS TYPE	
MODEL: LFPS025	DRAWING NO.: 01	ISSUE: 01	SHEET SIZE: A4

Super Slim Ceiling Mounted

LFPS Series LFPS25

NOISE CURVE



DRAWN BY: GUO JINGPENG	DATE: 14/11/2009		
APPROVED Q.A.: WU MEIJUN	APPROVED ENG.: ZHANG JINGFEI	TITLE:Water Cooled Fan Coil Unit LFPS TYPE	
MODEL: LFPS025	DRAWING NO.: 01	ISSUE: 01	SHEET SIZE: A4