

Super Slim Ceiling Mounted Air Handling Unit LFPS Series LFPS105

Model Number Configuration

LFPS105-4+1: 4 + 1 Row Super Slim Ceiling Mounted

LFPS105-6+1: 6 + 1 Row Super Slim Ceiling Mounted

PERFORMANCE DATA

RETURN AIR

Model	Air Flow	4 Rows Cooling				1 Row Heating			External Excess Pressure			Motor Power			Weight
		Total	Sensible	Water Flow	Water Resistance	Rated Heating	Water Flow	Water Resistance	I	II	III	I	II	III	
		l/s	kW	kW	l/s	kPa	kW	l/s	kPa	Pa	Pa	Pa	kW	kW	
LFPS105-4+1	2917	67.9	47.0	3.2	29.7	41.9	1.0	33.8	200	300	400	3	3	4	347.1
LFPS105-6+1	2917	82.2	54.7	3.9	20.5	41.9	1.0	33.8	200	300	400	3	4	4	377.1

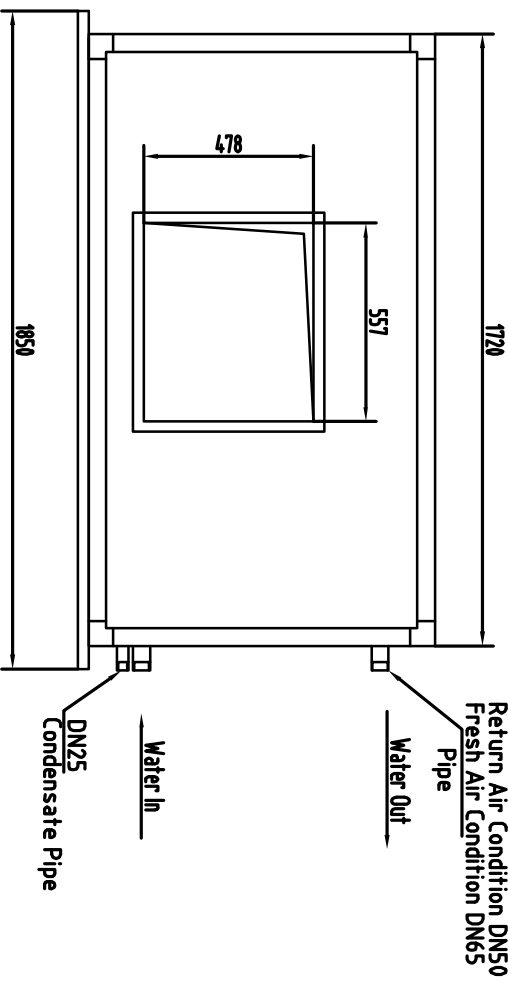
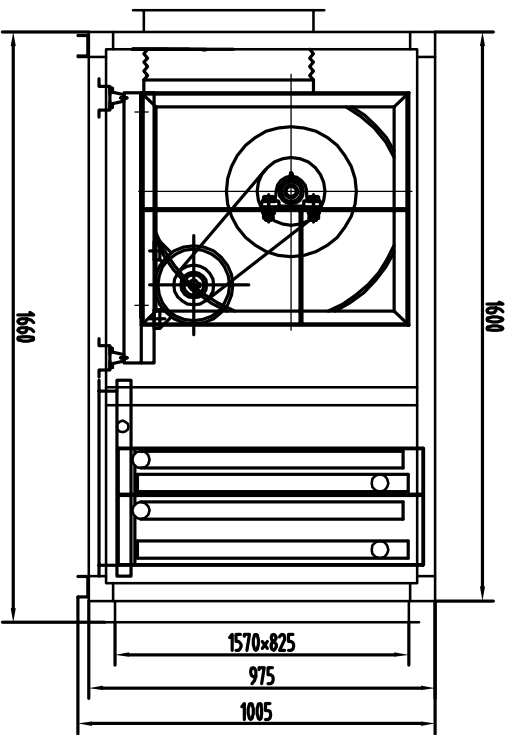
Notes for Return Air:

1. Cooling: The water in/out temp. is 7°C/12°C; the air in temp. is 27°C DB / 19.5°C WB
2. Heating: The water in temp. is 80°C / 50°C; the air in temp. is 21°C DB..
3. The motor power offered is the motor output power.
4. The above performance is for reference only. Different air and water conditions would lead to different cooling capacity.

SPECIFICATION


- **Coil:**
LFPS010W-LFPS 120W : ϕ 9.52mm, copper tube, aluminium fins
LFPS135W-LFPS 300W: ϕ 12.7mm, copper tube, aluminium fins
- **Fan and motor:**
LFPS 010W-LFPS025W: direct driven, forward curved centrifugal fan|
LFPS 030W-LFPS 300W: belt driven, forward curved centrifugal fan
- **Filter: 15mm panel filter**
- **Cabinet: 25mm thick double skinned panel**
- **Drip-tray: powder painting steel sheet**

Diagrams of: LFPS 105



Air Flow l/s	2917			
External Overbottom Pressure Pa	200		300	
Coil Rows: Cooling+Heating	4+1	6+1	4+1	6+1
Fan Model (Drive Type)	KDF18-18K(Belt Drive)			
Fan Speed r/min	677	714	748	780
Motor Pulley	SPA100-2	SPA100-2	SPB100-2	SPB112-2
Fan pulley	SPB212-2	SPB200-2	SPB190-2	SPB200-2
Belt Model/Quantity	SPB1250/2	SPB1250/2	SPB1250/2	SPB1250/2
Motor Power-Pole	3KW-4	3KW-4	3KW-4	4KW-4
A FLA	6.2A	6.2A	6.2A	8.1A
Voltage	415V/3Ph/50HZ			
Coil Diameter mm/Fins LengthxWidth mm	3/8"(Ø9.52)/14.30x813(tube no:32)			
Filter: LengthxWidthxThickness mm/quantity	520x817x15/3			

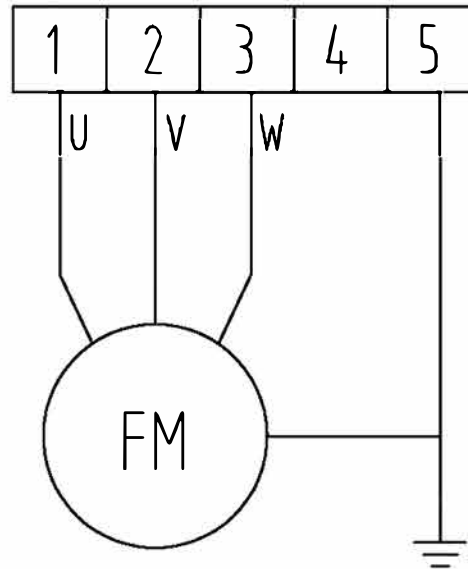
Note: The unit shown is of left hand type

DRAWN BY: GUO JINGPENG	DATE: 24/02/2012	
APPROVED O.A.: WU MEIJUN	APPROVED ENG.: ZHANG JINGFEI	

MODEL: LFPS 105	DRANG NO.: 01	ISSUE: 01	SHEET SIZE: A4
--------------------	------------------	--------------	----------------------

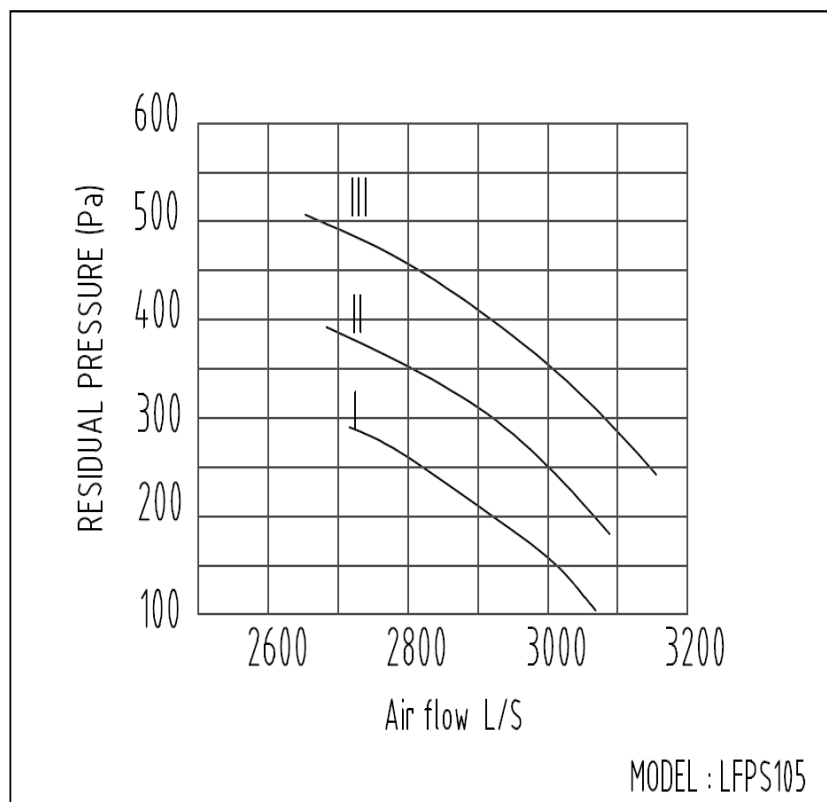
Wiring Diagram


415V/3Ph/50Hz



Super Slim Ceiling Mounted *Air Handling Unit* LFPS105

FAN CURVE



DRAWN BY: GUO JINGFENG	DATE: 13/11/2019		
APPROVED D.A.: WU MEIJUN	APPROVED ENG.: ZHANG JINGFEI	TITLE: Water Cooled Fan Coil Unit LFPS TYPE	
MODEL: LFPS105	DRAWING NO.: 01	ISSUE: 01	SHEET SIZE: A4

Super Slim Ceiling Mounted *Air Handling Unit* LFPS105

NOISE CURVE

