

# Fan Coil Unit

## *Floor Exposed*

### **FCU50**

#### Model Number Configuration

FCU50-ML-2 : 2 Row Floor Exposed  
 FCU50-ML-3 : 3 Row Floor Exposed

#### PERFORMANCE DATA

#### RETURN AIR

Model	Row	Air Flow			Rated Cooling Capacity	Rated heating Capacity	Water Flow	Water Resistance	Noise	Input Power	Weight
		L/S									
		H	M	L							
FCU50-2	2	236	179	132	4.42	6.72	0.21	21	41	75	26.7
FCU50-3	3	236	179	132	4.8	8.05	0.23	21	41	75	28

#### *Notes for Return Air:*

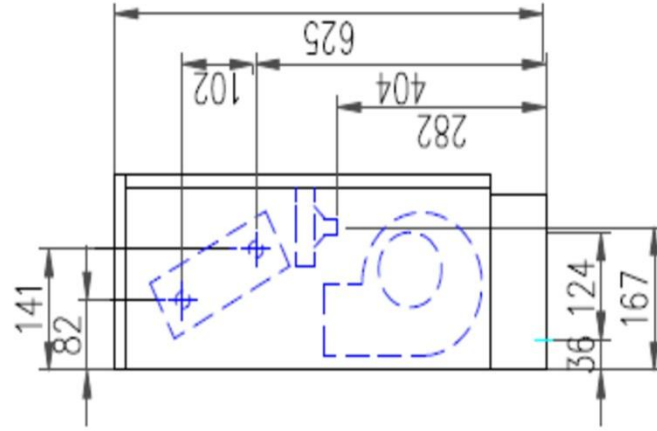
1. Cooling: Air on temp. DB/WB 27°C/19.5°C, Water in/out temp. 7°C/12°C.
2. Heating: Air on temp. 21°C DB . Water in temp. 60°C.

#### SPECIFICATION

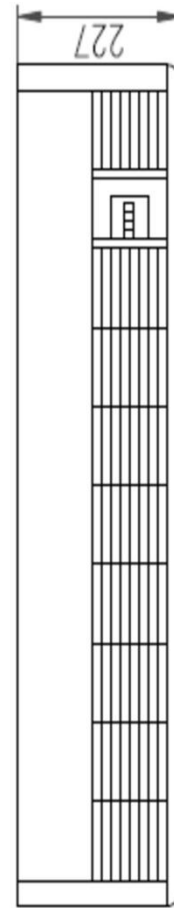
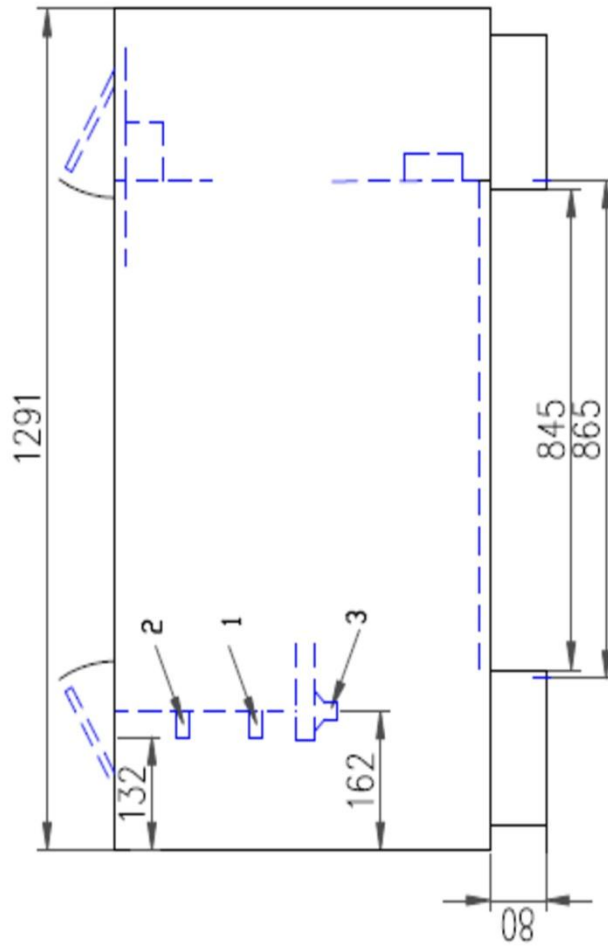
- **Forward curved centrifugal fan**
- **Single phase motor & direct drive**
- **Coils: Copper tube & Aluminum fins**
- **Galvanised sheet casing**
- **A3 steel sheet painting drip-tray**
- **Capacitance type motor**

# Floor Exposed

# FCU50



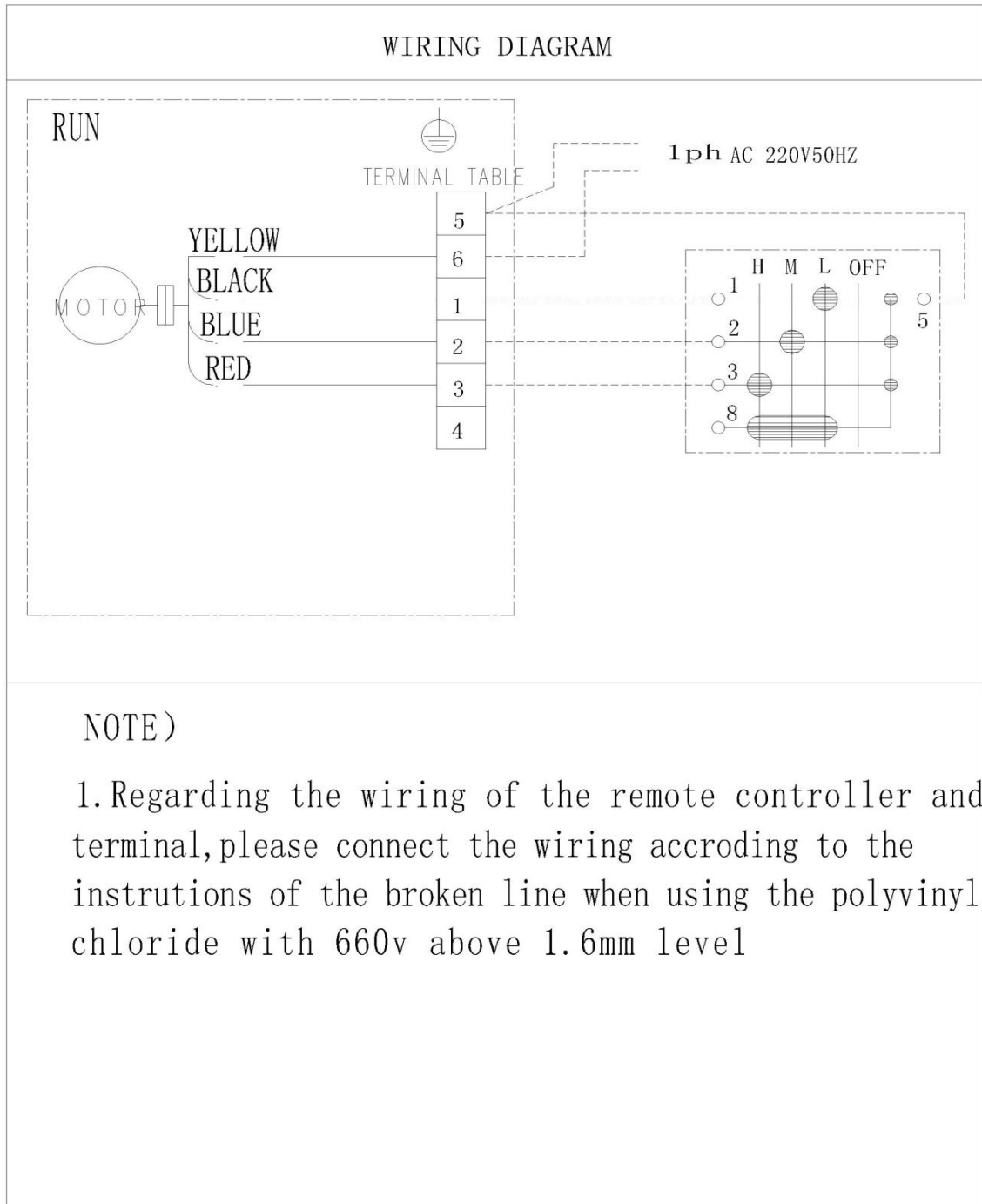
- 1. Water Inlet 3/4 FPT
- 2. Water Outlet 3/4 FPT
- 3. Condensation 3/4 MPT



DRAWN BY:	DATE:	DUNNAIR	
APPROVED S.A.:	2009/10/12	TITLE: Water Cooled Fan Coil Unit	
MODEL:	FCU50ML	DRAWING NO.:	FCU TYPE
		SCALE:	SHEET 1 OF 1
		ISSUE:	SHEET SIZE: A4

# FAN COIL UNIT

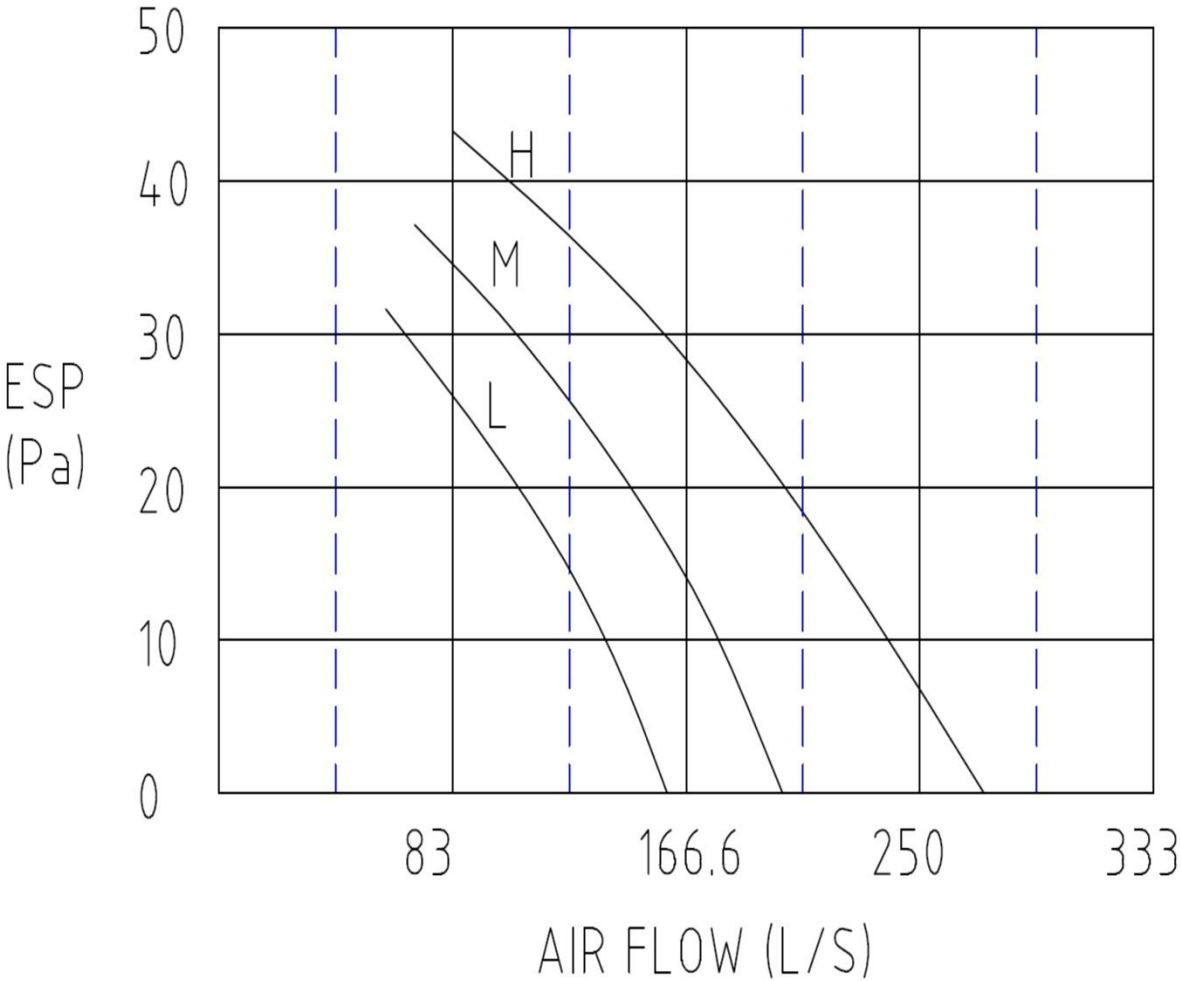
## *Floor Exposed FCU50*



# FAN COIL UNIT

*Floor Exposed  
FCU50*

### FAN CURVE



# FAN COIL UNIT

## *Floor Exposed FCU50*

### NOISE CURVE

