

Fan Coil Unit

Floor Exposed

FCU120

Model Number Configuration

FCU120-ML-2 : 2 Row Floor Exposed
 FCU120-ML-3 : 3 Row Floor Exposed

PERFORMANCE DATA

RETURN AIR

Model	Row	Air Flow			Rated Cooling Capacity	Rated heating Capacity	Water Flow	Water Resistance	Noise	Input Power	Weight
		L/S									
		H	M	L							
FCU120-2	2	567	449	314	10.26	15.39	0.49	33	48	189	49.5
FCU120-3	3	567	449	314	10.8	17.2	0.52	35	48	189	52

Notes for Return Air:

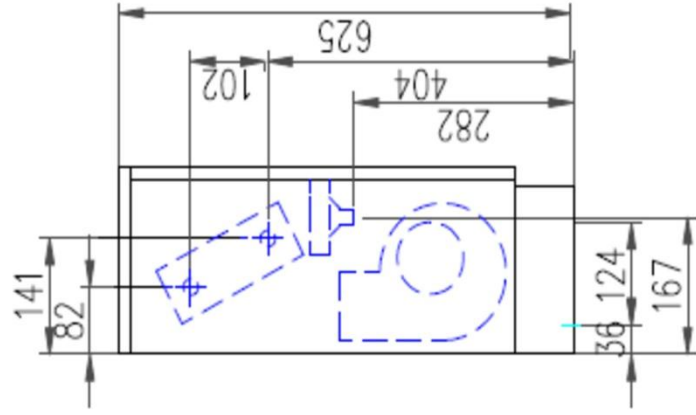
1. Cooling: Air on temp. DB/WB 27°C/19.5°C, Water in/out temp.7°C/12°C.
2. Heating: Air on temp. 21°C DB . Water in temp. 60°C.

SPECIFICATION

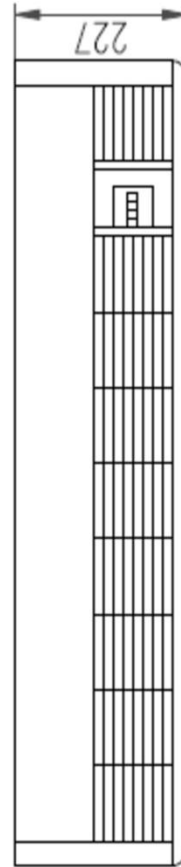
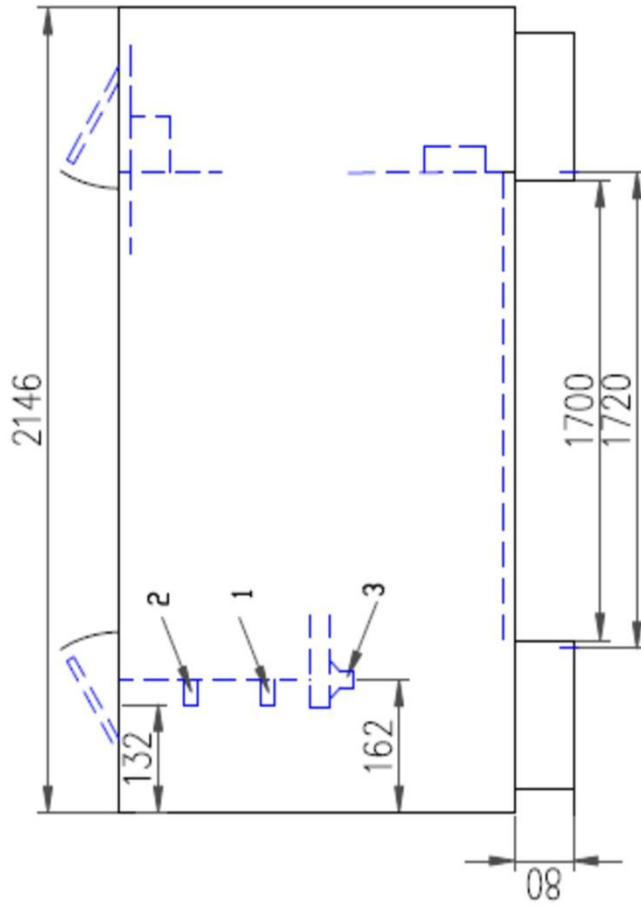
- Forward curved centrifugal fan
- Single phase motor & direct drive
- Coils: Copper tube & Aluminum fins
- Galvanised sheet casing
- A3 steel sheet painting drip-tray
- Capacitance type motor

Floor Exposed

FCU120



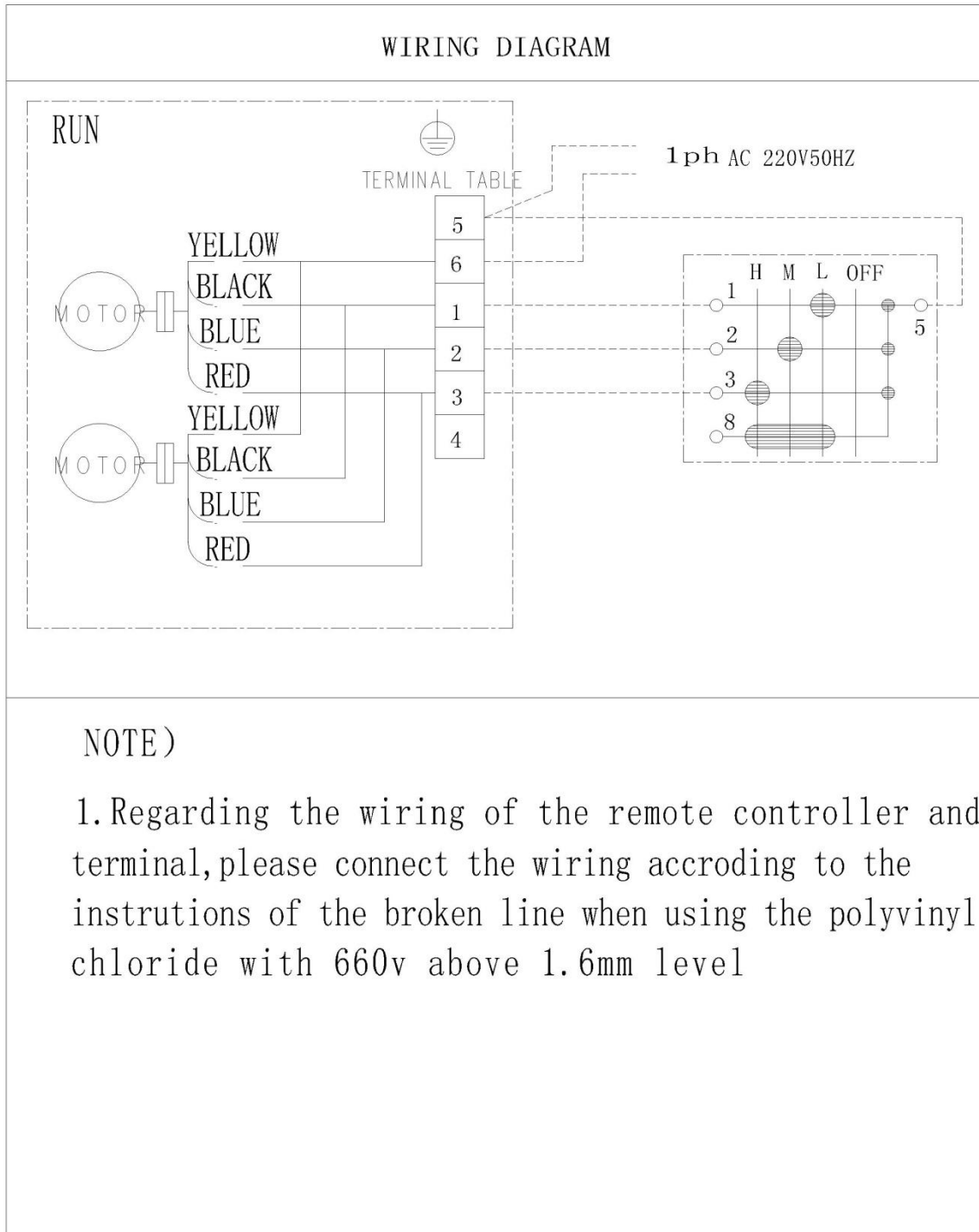
- 1. Water Inlet 3/4 FPT
- 2. Water Outlet 3/4 FPT
- 3. Condensation 3/4 MPT



DATE	2009/10/12	DUNNAIR	
APPROVED Q.A.	APPROVED ENG.	TITLE: Water Cooled Fan Coil Unit	
MODEL	FCU120ML	DRAWING NO.	FCU TYPE
SCALE		SHEET 1 OF 1	SHEET SIZE: A4

FAN COIL UNIT

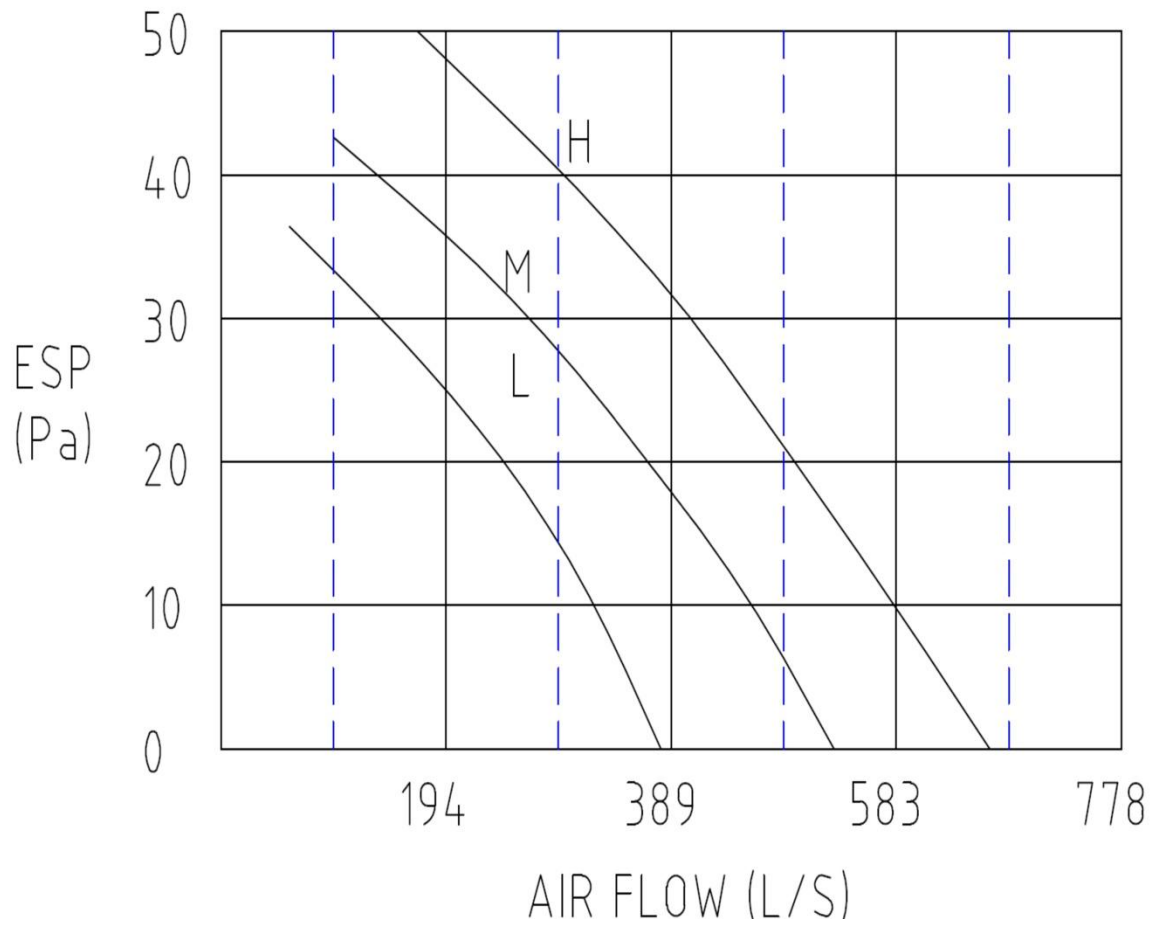
Floor Exposed FCU120



FAN COIL UNIT

*Floor Exposed
FCU120*

FAN CURVE



FAN COIL UNIT

Floor Exposed FCU120

NOISE CURVE

