

Fan Coil Unit

Floor Exposed

FCU100

Model Number Configuration

FCU100-ML-2 : 2 Row Floor Exposed
 FCU100-ML-3 : 3 Row Floor Exposed

PERFORMANCE DATA

RETURN AIR

Model	Row	Air Flow			Rated Cooling Capacity	Rated heating Capacity	Water Flow	Water Resistance	Noise	Input Power	Weight
		L/S									
		H	M	L							
FCU100-2	2	472	351	267	8.75	12.97	0.42	24	46	150	41.9
FCU100-3	3	472	351	267	9.2	15.1	0.44	24	46	150	44

Notes for Return Air:

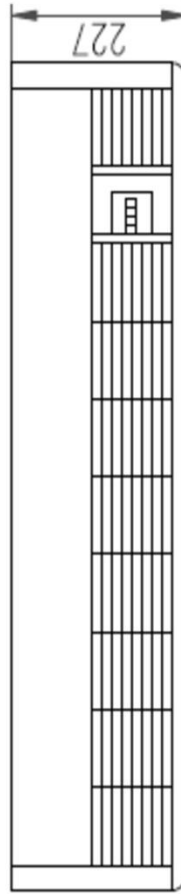
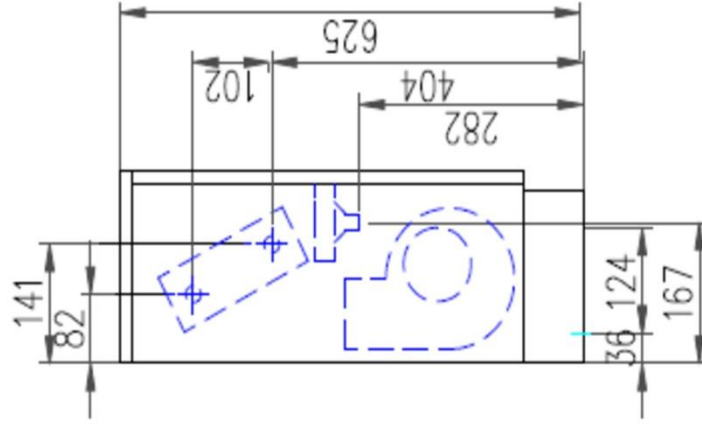
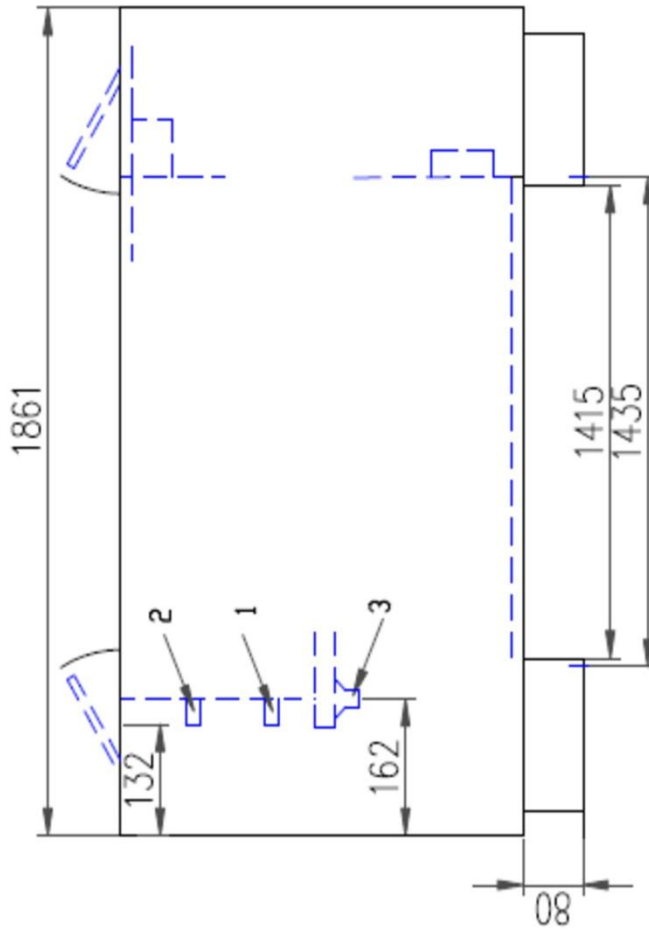
1. Cooling: Air on temp. DB/WB 27°C/19.5°C, Water in/out temp.7°C/12°C.
2. Heating: Air on temp. 21°C DB . Water in temp. 60°C.

SPECIFICATION


- **Forward curved centrifugal fan**
- **Single phase motor & direct drive**
- **Coils: Copper tube & Aluminum fins**
- **Galvanised sheet casing**
- **A3 steel sheet painting drip-tray**
- **Capacitance type motor**

Floor Exposed

FCU100

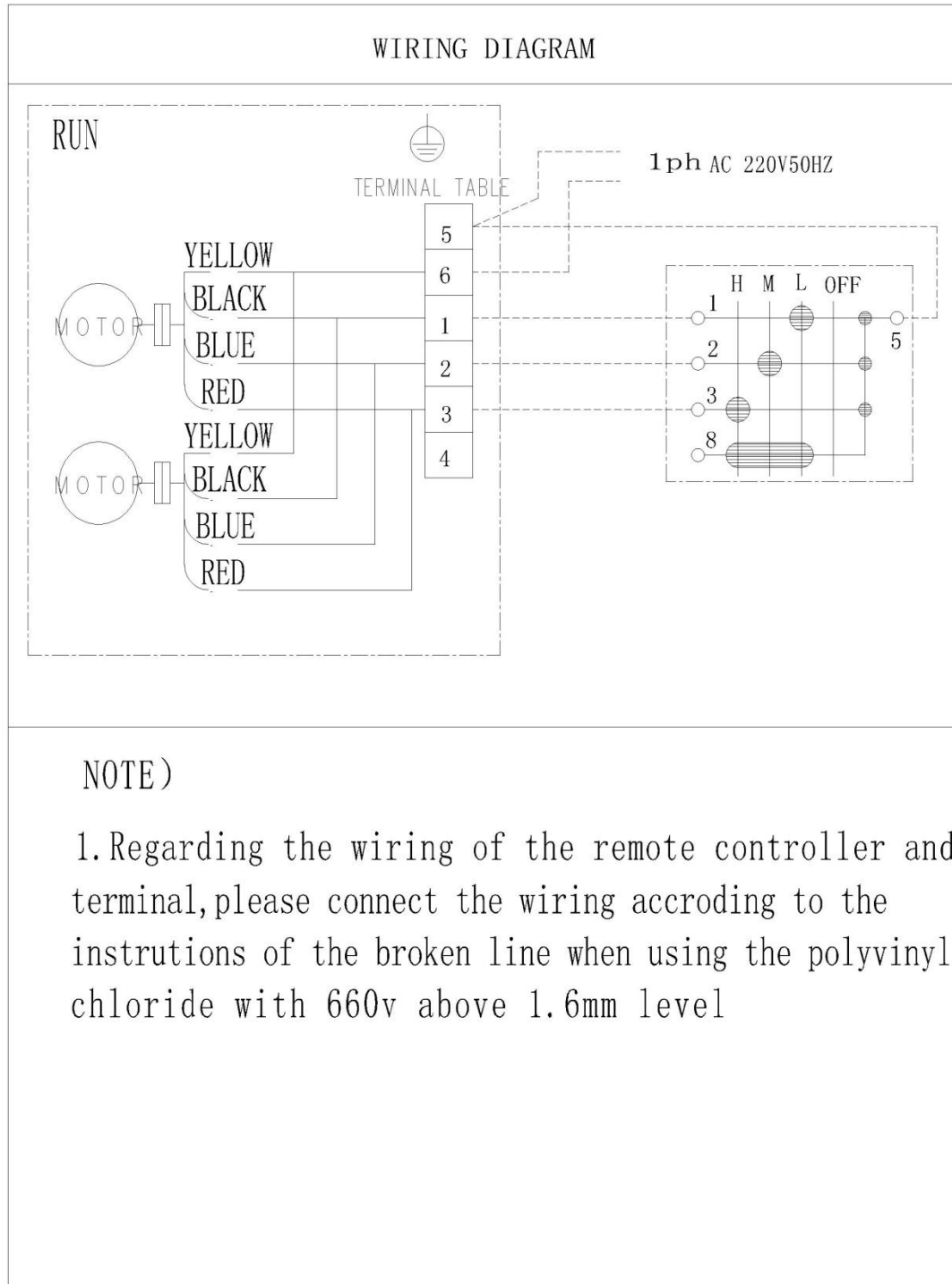


- 1. Water Inlet 3/4FPT
- 2. Water Outlet 3/4FPT
- 3. Condensation 3/4MPT

DRAWN BY: APPROVED Q.A.	DATE: 28/09/16/12 APPROVED ENG.		TITLE: Water Cooled Fan Coil Unit FCU TYPE	DRAWING NO.: SCALE:	SHEET 1 OF 1 ISSUE	SHEET SIZE: A4
MODEL: FCU100ML						

FAN COIL UNIT

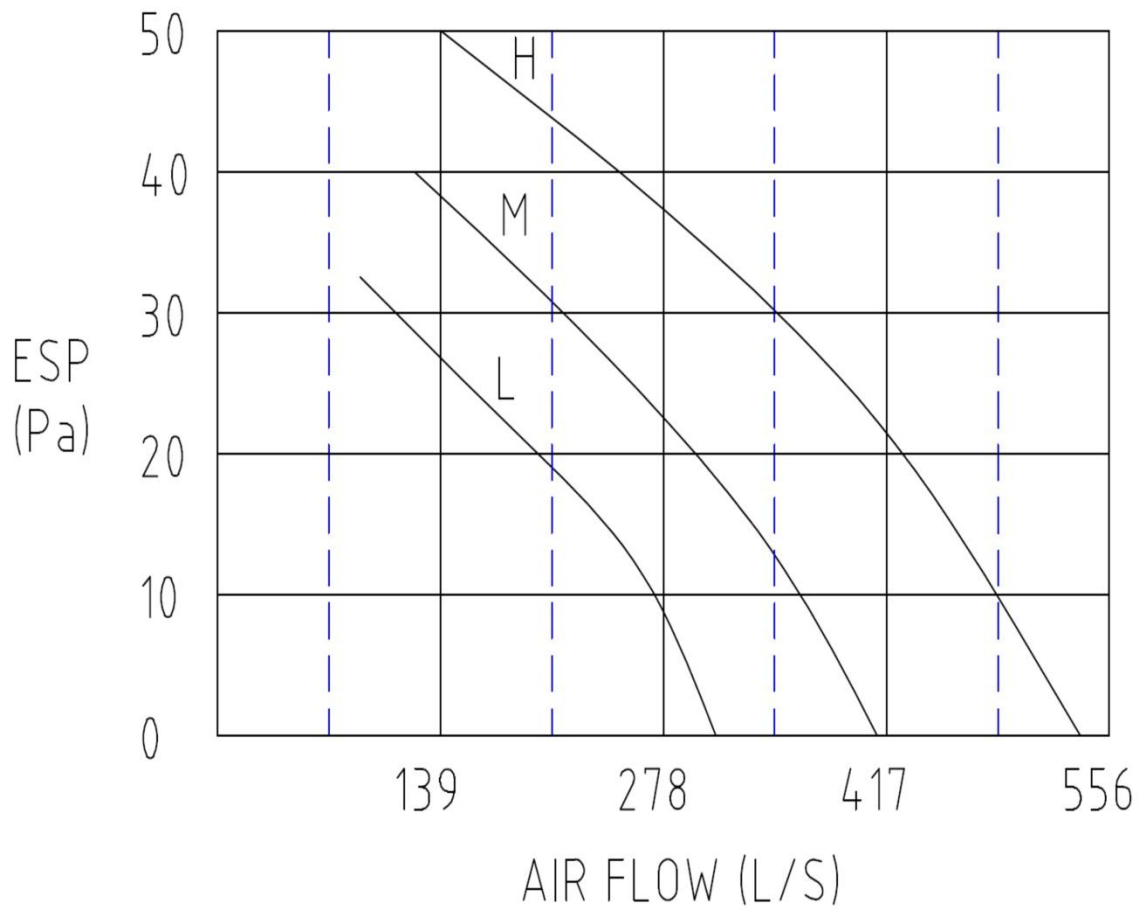
Floor Exposed FCU100



FAN COIL UNIT

Floor Exposed
FCU100

FAN CURVE



FAN COIL UNIT

*Floor Exposed
FCU100*

NOISE CURVE

