



SHS6

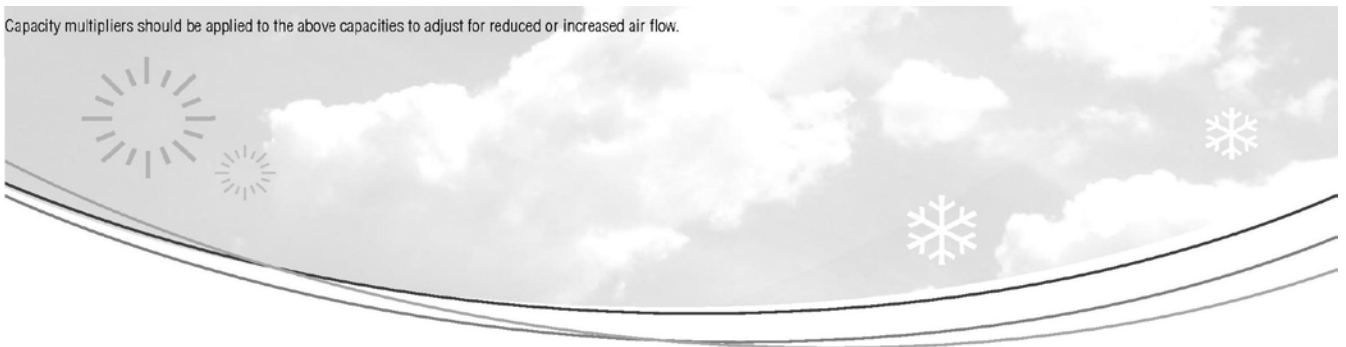
Split Ducted Model

R410a Refrigerant

PERFORMANCE DATA

INDOOR COIL ENTERING AIR TEMP °C		OUTDOOR COIL ENTERING TEMPERATURE °C											
		30			35			40			45		
		Tot. Cap KW	Sens.Cap KW	LWB °C	Tot. Cap KW	Sens.Cap KW	LWB °C	Tot. Cap KW	Sens.Cap KW	LWB °C	Tot. Cap KW	Sens.Cap KW	LWB °C
DB °C	WB °C												
21	17	5.4	3.9	11.2	5.4	3.8	11.4	5.3	3.7	11.8	5.0	3.7	12.0
	18	5.6	3.5	11.6	5.4	3.4	12.6	5.4	3.3	12.8	5.2	3.1	13.0
	19	5.8	3.0	13.2	5.6	3.0	12.8	5.5	2.8	13.8	5.2	2.7	14.0
	20	6.2	2.6	14.2	6.1	2.6	14.5	6.0	2.4	14.8	5.4	2.3	15.0
23	17	5.5	4.7	11.1	5.4	4.6	11.4	5.3	4.4	11.7	5.1	4.3	12.0
	18	5.6	4.3	12.2	5.5	4.2	12.3	5.4	4.0	12.7	5.4	3.9	12.9
	19	5.8	3.5	14.2	5.6	3.5	13.4	5.5	3.4	13.8	5.4	3.4	14.0
	20	6.0	3.4	14.2	5.8	3.4	14.4	5.7	3.2	14.8	5.6	3.1	15.0
	21	6.2	3.0	14.4	5.8	2.9	14.8	5.7	2.7	15.7	5.6	2.6	15.8
25	17	5.9	5.4	11.1	5.5	4.8	11.4	5.3	5.0	11.7	5.2	4.9	12.0
	18	6.6	5.2	12.2	5.5	4.8	12.5	5.3	4.8	12.8	5.3	4.6	13.0
	19	6.8	5.0	13.1	5.7	4.9	13.4	5.5	4.3	13.7	5.3	4.2	14.0
	20	7.0	4.8	14.2	5.9	5.0	14.5	5.8	4.0	14.8	5.7	3.8	15.0
	21	7.3	4.6	15.4	6.1	5.1	15.5	5.8	3.5	15.6	5.7	3.4	15.8
27	17	5.9	4.8	11.0	5.5	4.6	11.4	5.2	4.4	11.5	5.2	4.1	11.7
	18	6.1	4.9	12.1	5.6	4.8	12.3	5.4	4.5	12.6	5.2	4.4	12.8
	19	6.3	5.1	13.1	5.8	5.0	13.2	5.6	4.5	13.7	5.6	4.3	13.9
	20	6.5	5.4	14.2	6.0	5.2	14.3	5.8	5.0	14.8	5.8	4.6	15.0
	21	6.8	5.0	15.1	6.2	5.4	15.5	6.0	5.0	15.7	5.8	4.3	15.8
29	17	6.3	6.4	10.9	6.0	5.2	11.1	6.1	6.0	11.3	5.8	5.8	11.5
	18	6.5	6.3	11.9	6.1	5.2	12.2	6.2	5.9	12.5	5.9	5.8	12.7
	19	6.8	6.1	13.0	6.2	5.4	13.3	6.2	5.8	13.5	5.9	5.7	13.7
	20	7.0	5.8	14.1	6.8	5.7	14.4	6.3	5.5	14.7	6.1	5.4	14.9
	21	7.4	5.4	15.1	7.4	5.3	15.3	6.8	5.1	15.6	6.2	5.0	15.8
31	17	6.4	6.4	11.3	6.6	6.6	11.3	6.3	6.3	11.3	6.2	6.2	11.3
	18	6.6	6.4	11.7	6.6	6.6	11.9	6.3	6.3	12.2	6.2	6.2	12.4
	19	6.8	6.6	12.9	6.7	6.5	13.1	6.3	6.2	13.4	6.2	6.2	13.6
	20	7.0	6.5	14.1	6.9	6.4	14.4	6.3	6.2	14.7	6.2	6.2	14.9
	21	7.5	6.2	15.1	7.4	6.1	15.3	6.8	5.9	15.6	6.3	5.8	15.8

Capacity multipliers should be applied to the above capacities to adjust for reduced or increased air flow.



Technical Specification SHS6 Split Ducted Model

Indoor Unit Model Number	SHS6N	Nominal Evaporator Air Flow (l/s)	361
Outdoor Unit Model Number	SHS6W	Number of Compressors	1
Total Cooling Capacity (kW)*	5.8	Power Requirements (Volt /Phase)	240/1
Sensible Cooling Capacity (kW)*	5.0	Normal Max. Current (Amps /Phase)	11.2
Heating Capacity (kW) **	5.7	Power Input (kW)	1.88
*Entering air @ 27/19 °C and ambient 35°C		** Entering air @ 21 °C DB and 7°C ambient	

Cooling Performance Correction

Capacity	% Rated Air Quantity - Nominal 361 l/s				
	80	90	100	110	120
Total Cooling	0.95	0.98	1.00	1.02	1.04
Sensible Cooling	0.89	0.95	1.00	1.05	1.09

Heating Performance Data

Outdoor Coil Entering DB temperature °C					
	0	4	8	12	18
Heating Capacity (kW)	5.2	5.5	6.3	7.0	8.2

Heating Performance Correction

% Rated Air Quantity	Multiplier	Return Air Temp. °C	Multiplier	Outdoor Air Temp. °C	Approx. Defrost Factor
80	0.93	15	1.05	0	0.80
90	0.97	18	1.03	2	0.78
100	1.00	21	1.00	4	0.75
110	1.03	24	0.97	6	0.87
120	1.05	27	0.95	8	1.06

Compressor

Number Per Unit	1
Type	Rotary
RPM (Nom)	2900
Normal Max. Current (amps /phase)	8.7
Locked Rotor Current (amps /phase)	45.5
Displacement (m ³ /h)	4.7

Electrical Controls and Safeties

High Pressure Switch (Setting kPa)	4000	Defrost	
Low Pressure Switch (Setting kPa)	300	Timing cycle	
Indoor Fan Overload	Internal	Defrost time	4
Outdoor Fan Overload	Internal	Min. Period Between De-Ice (min)	45
Compressor Delay Timer	300 sec	Max De-Ice Period (min)	4

Standard Features

Auto reset high pressure and auto reset low pressure cutouts	
Thermal overload protection on all motors	Suction line accumulator
Compressor crankcase heater	Automatic de-ice system
Limit start timer (anti short cycling)	Thermally insulated indoor unit

Evaporator (Indoor Coil)

Type	Copper Tube / Aluminium Fins
Face Area (m ²)	0.21
Air Quantity (l/s)	361

Evaporator (Indoor fan)

Number of Fans	1
Type	Centrifugal
Drive	Direct
Motor Voltage /Phase /Frequency	240 / 1 / 50
Motor Power (kW)	0.15
Maximum Fan Speed (rpm)	1155

Electrical

Power Requirements	1 phase / 240V / 50Hz
Normal Max. Current (Amps /Phase)	11.2

Condenser (Outdoor Coil)

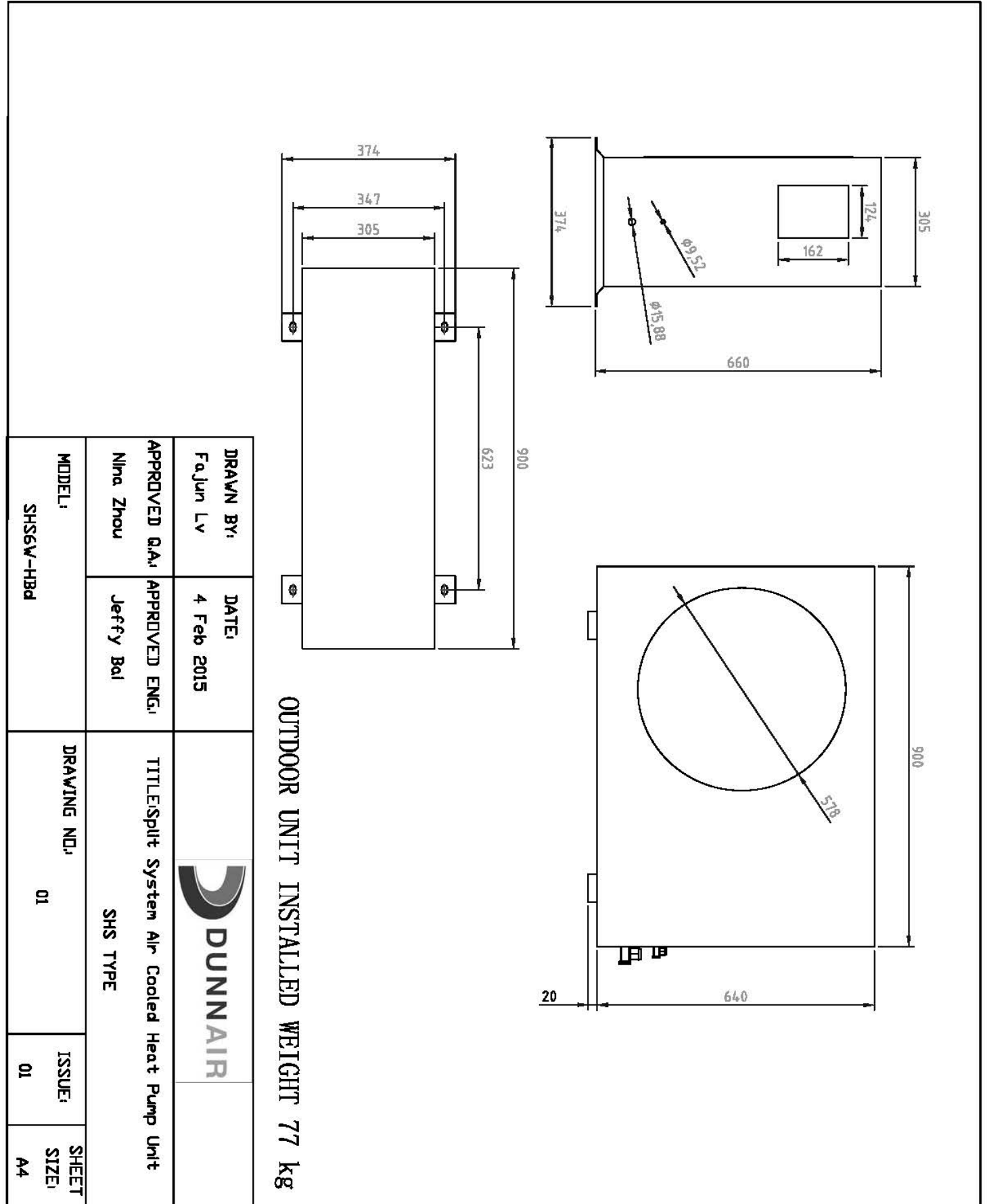
Type	Copper Tube / Aluminium Fins
Face Area (m ²)	0.57

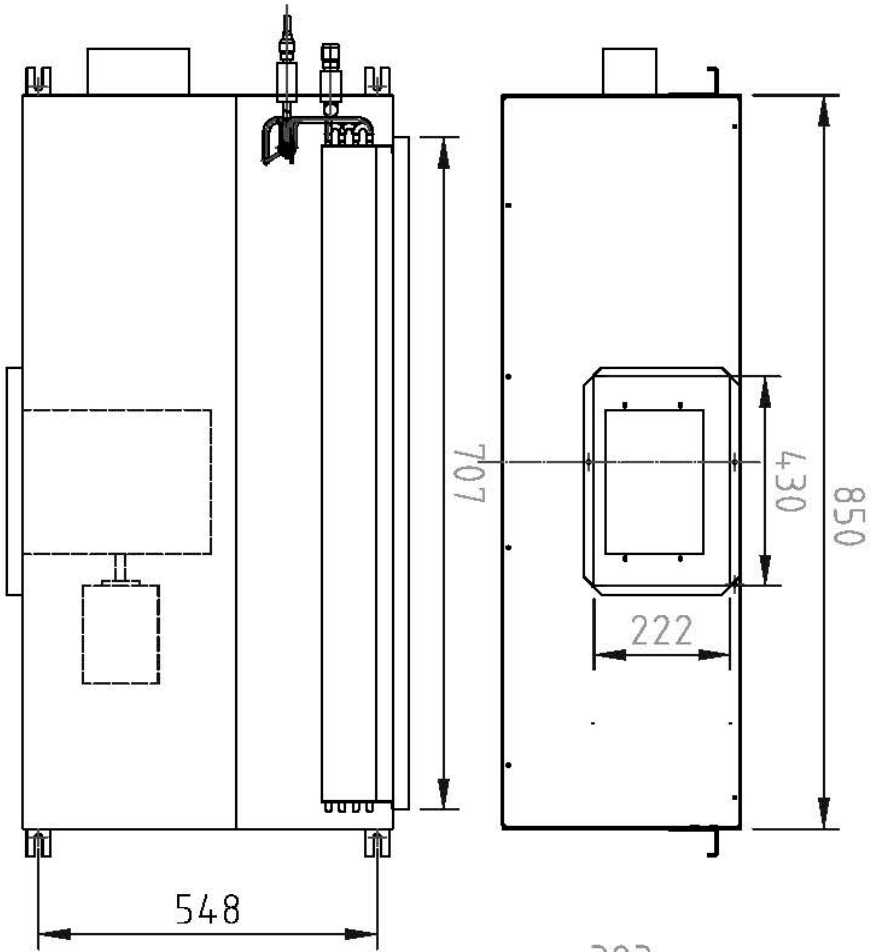
Condenser (Outdoor Fan)

Number of Fans	1
Type	Axial
Drive	Direct
Motor Watts /rpm	75 / 800
Motor Voltage /Phase /Frequency	240 / 1 / 50

Refrigeration System


Refrigerant Type	R410A
Charge (kg)	2.1
Service Connections	Rotor Lock Valves
Expansion Control - In / Outdoor Unit	Capillary
Line Size (mm)	
Liquid Line 0 - 50 Meters	9.52
Gas Line 0 - 50 Meters	15.88



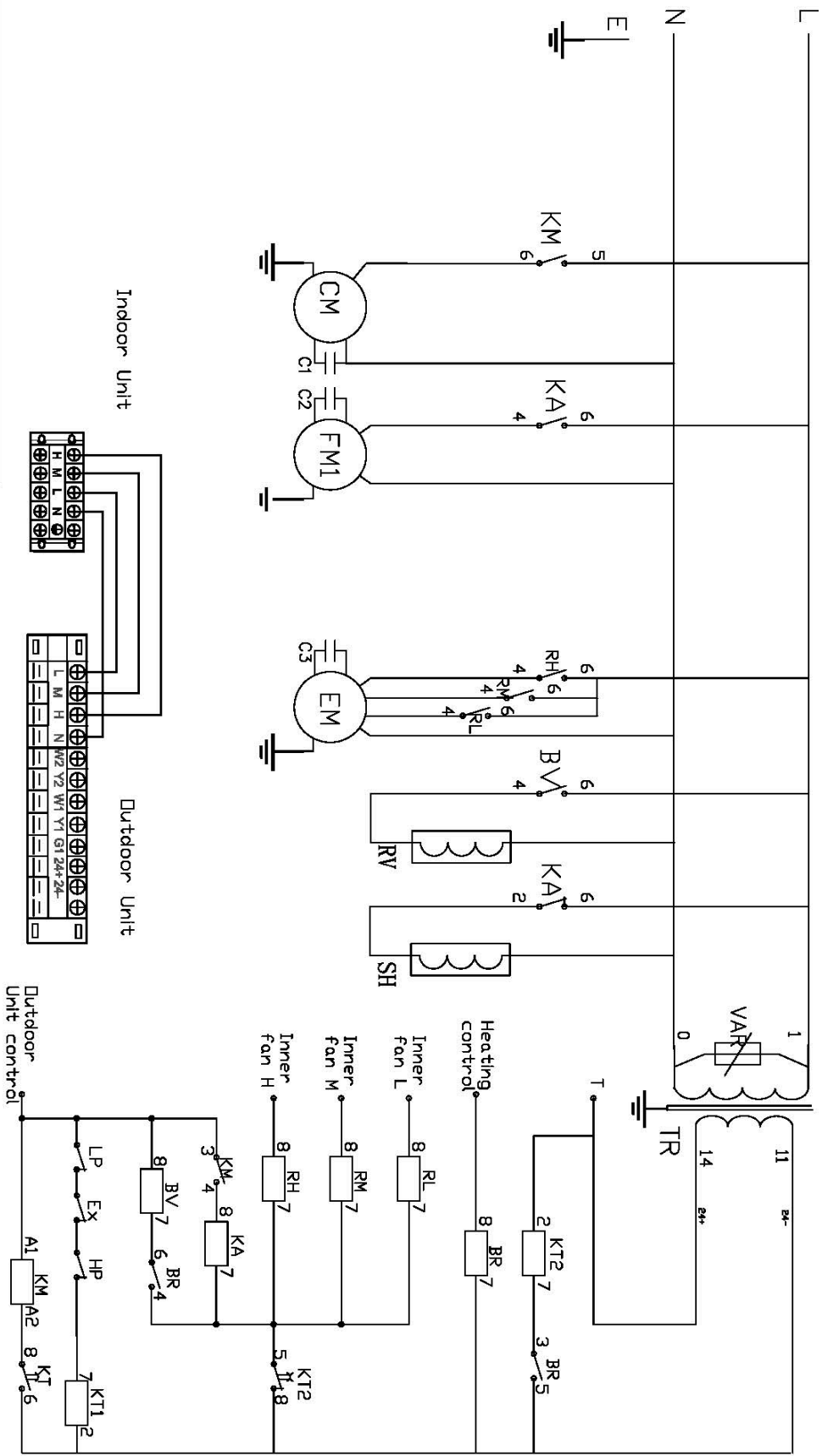


Evaporator Motor: YLK150-4

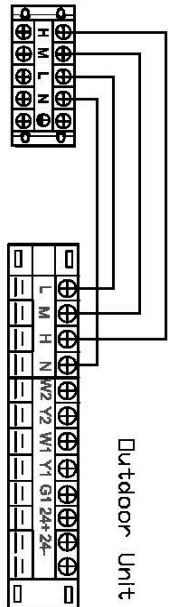
INDOOR UNIT INSTALLED WEIGHT 49 kg

DRAWN BY: Fajun Lv		DATE: 4 Feb 2015			
APPROVED Q.A.: Nilna Zhou		APPROVED ENG.: Jeffy Bai			
MODEL: SHS6N-HBd		DRAWING NO.: 01		ISSUE: 01	
TITLE: Split System Air Cooled Heat Pump Unit		SHS TYPE		SHEET SIZE: A4	

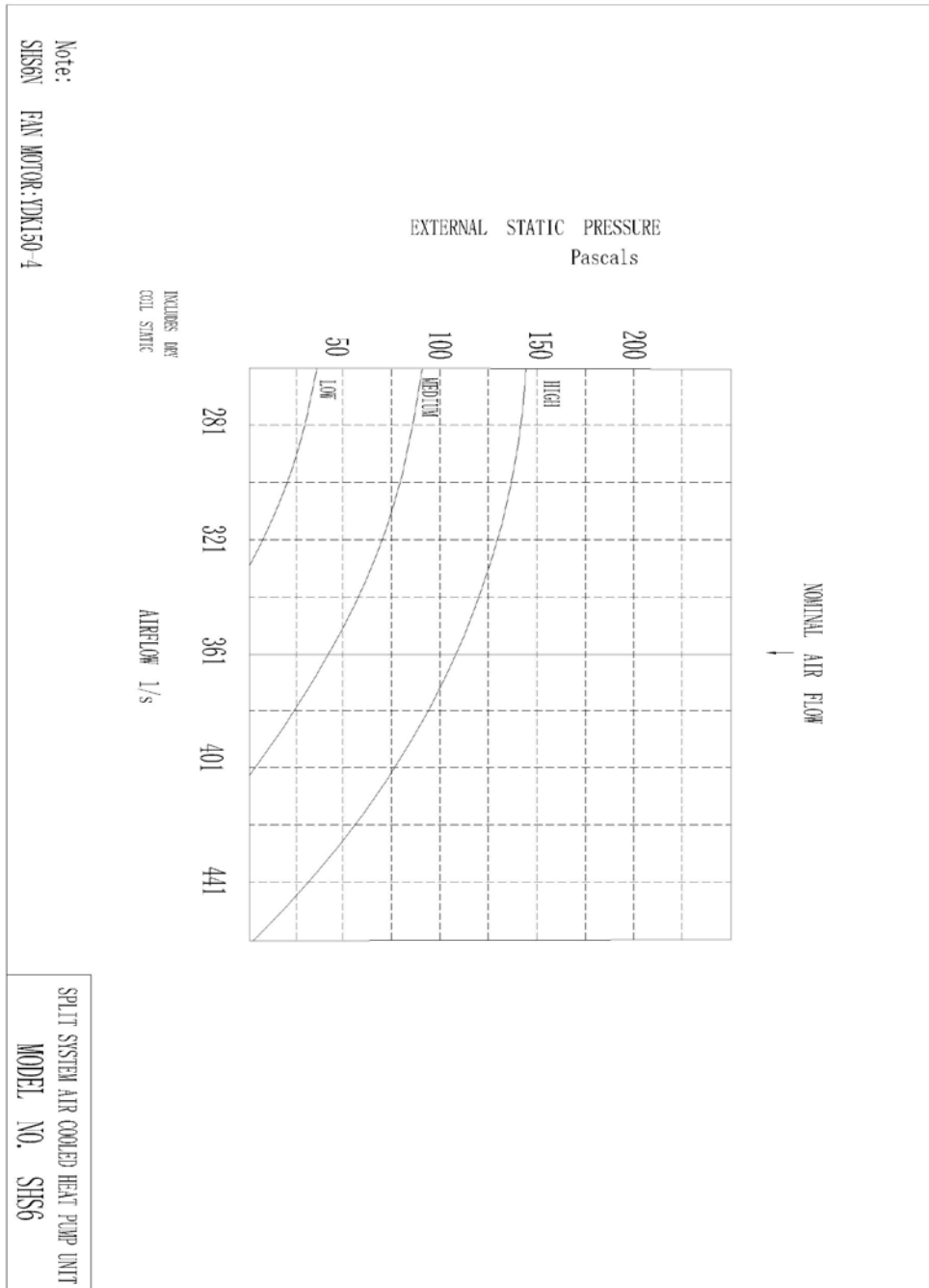
240V 50Hz 1P



KM	Contactor	RV	Reversing valve
RH/RM/RL	Power relay	H/LP	HP/LP switch
TR	Transformer	CM	Compressor
KT1	Time Relay	FM	Condenser fan
C1-3	Capacitor	EM	Evaporator fan
KA	Relay	SH	Sump heater
Ex	Exhaust switch	BR	Bypass Relay
BV	Reversing valve Relay	KT2	Time defrosting
		VAR	Varistor



		MODEL OF COMPRESSOR		
		PA270X3CS-4MU1		
Mark no.	Locations	File no.	Sign.	Date
Designed		Standard		
Checked		Ratified		
Approved				
Technology		Date	2014-11-06	
		Phase	Wt.	Scale
		1 PH		SHS6-HBd
		Total	No:	



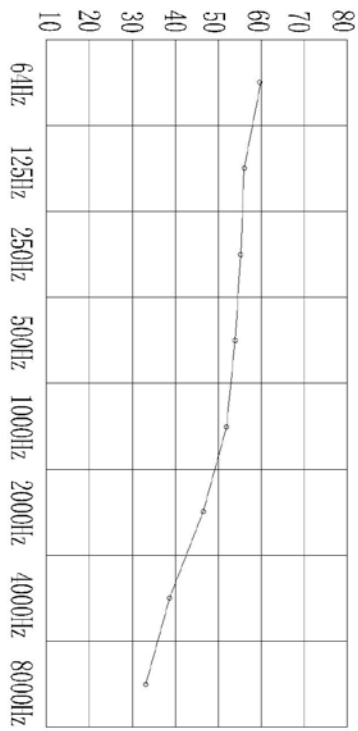
SHS6W Sound Pressure Curve
A Class: 55.5dB

Hz	dB
64Hz	59.7
125Hz	56.0
250Hz	55.4
500Hz	52.5
1000Hz	50.4
2000Hz	47.0
4000Hz	39.2
8000Hz	34.3

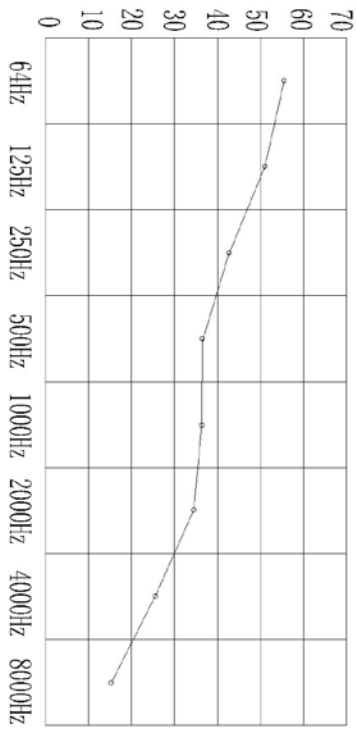
SHS6N Sound Pressure Curve
A Class: 47.8dB

Hz	dB
64Hz	55.9
125Hz	50.2
250Hz	42.3
500Hz	37.7
1000Hz	37.5
2000Hz	35.4
4000Hz	26.1
8000Hz	17.5


Sound Pressure Curve (A Class: 55.5dB) dB



Sound Pressure Curve (A Class: 47.8dB) dB



Note: Occupant at least 1.0m from sound source.

DRAWN BY:	DATE:		
APPROVED Q.A.:	2014-10-10		
APPROVED ENG.:		TITLE: Split System Air Cooled Heat Pump Unit	
MODEL: SHS6		SHS TYPE	
DRAWING NO.: 01		ISSUE:	SHEET
		01	SIZE: A4