

Fan Coil Unit

Floor Exposed

FCU80

Model Number Configuration

FCU80-ML-2 : 2 Row Floor Exposed
 FCU80-ML-3 : 3 Row Floor Exposed

PERFORMANCE DATA

RETURN AIR

Model	Row	Air Flow			Rated Cooling Capacity	Rated heating Capacity	Water Flow	Water Resistance	Noise	Input Power	Weight
		L/S									
		H	M	L							
FCU80-2	2	378	271	204	7.1	10.64	0.34	39	44	126	38.2
FCU80-3	3	378	271	204	7.5	12.05	0.37	39	44	126	40

Notes for Return Air:

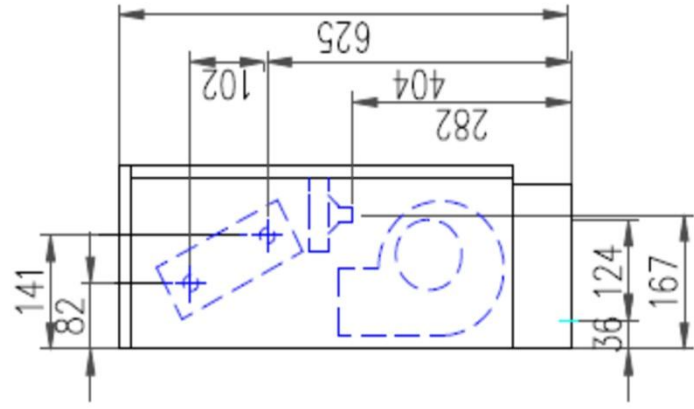
1. Cooling: Air on temp. DB/WB 27°C/19.5°C, Water in/out temp. 7°C/12°C.
2. Heating: Air on temp. 21°C DB . Water in temp. 60°C.

SPECIFICATION

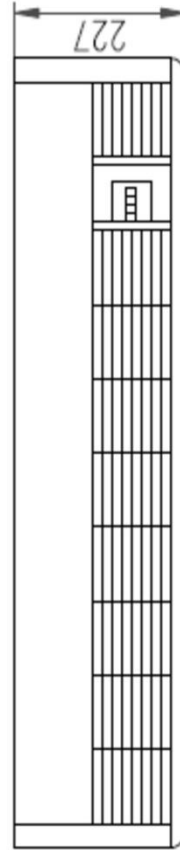
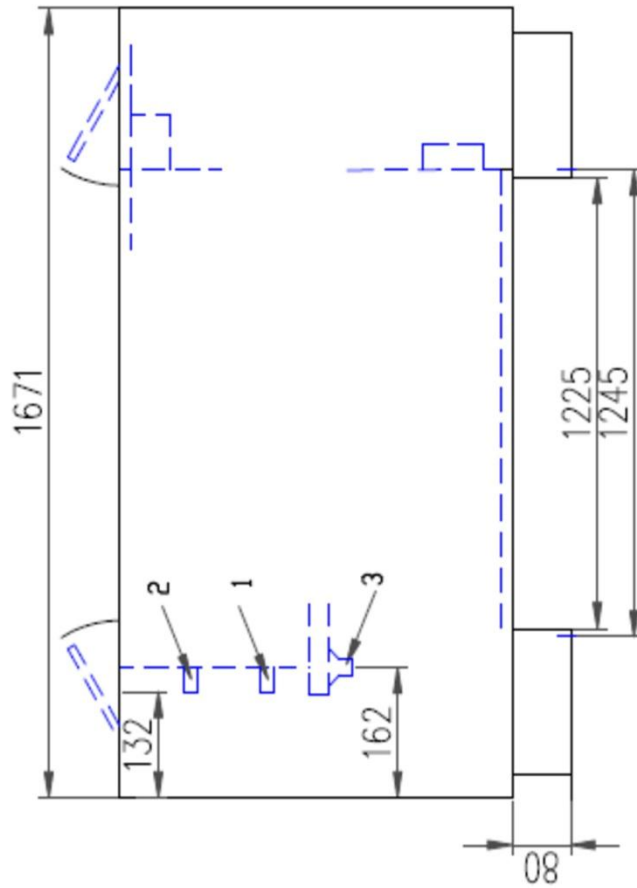
- Forward curved centrifugal fan
- Single phase motor & direct drive
- Coils: Copper tube & Aluminum fins
- Galvanised sheet casing
- A3 steel sheet painting drip-tray
- Capacitance type motor


Floor Exposed

FCU80



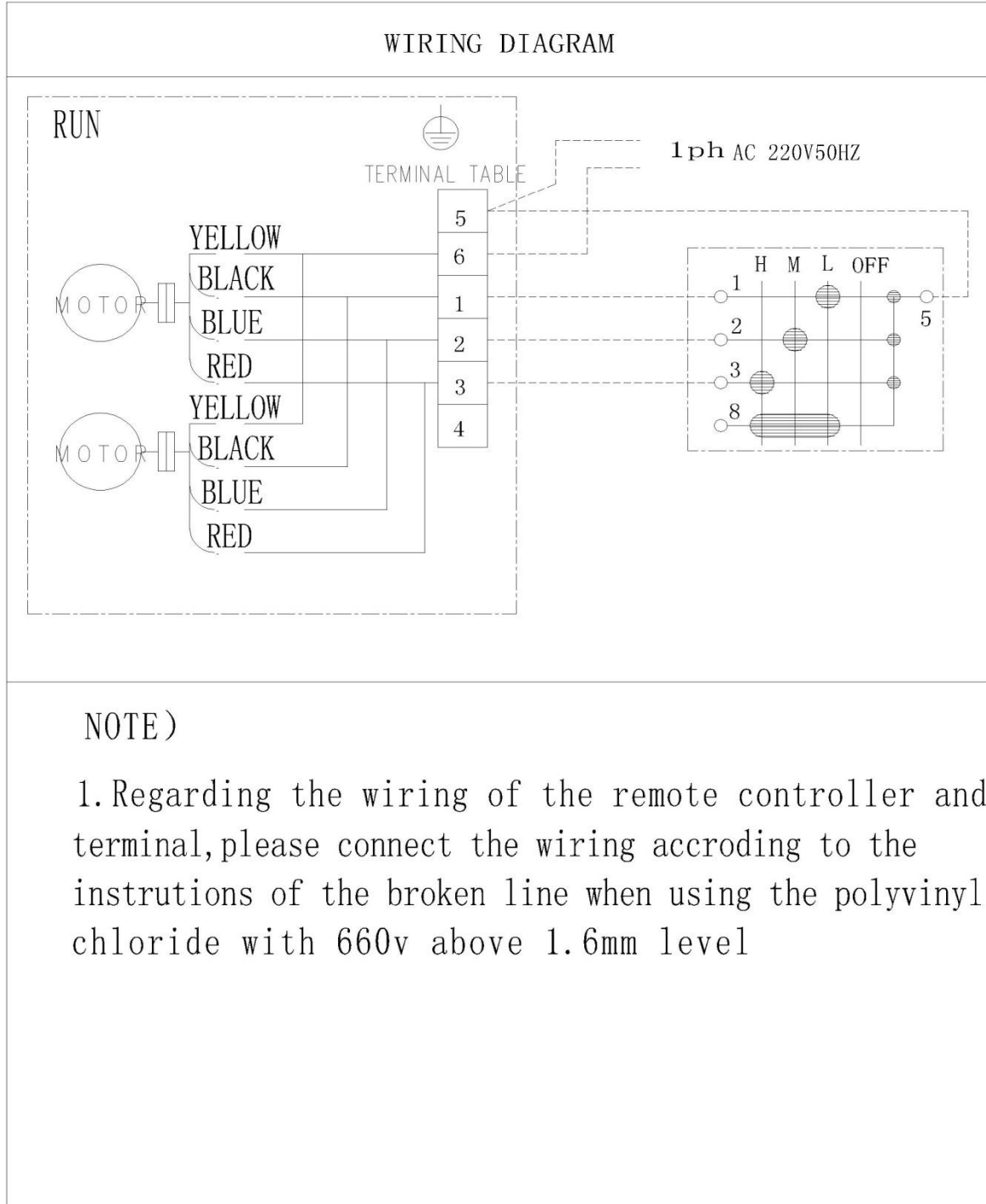
- 1. Water Inlet 3/4 FPT
- 2. Water Outlet 3/4 FPT
- 3. Condensation 3/4 MPST



DRAWN BY: APPROVED (S.A.) MODEL: FCU80ML	DATE: 28/09/10/12 APPROVED ENG.	 TITLE: Water-Cooled Fan Coil Unit FCU TYPE	DRAWING NO.: SCALE: SHEET 1 OF 1	ISSUE: SHEET SIZE: A4
--	------------------------------------	---	--	--------------------------

FAN COIL UNIT

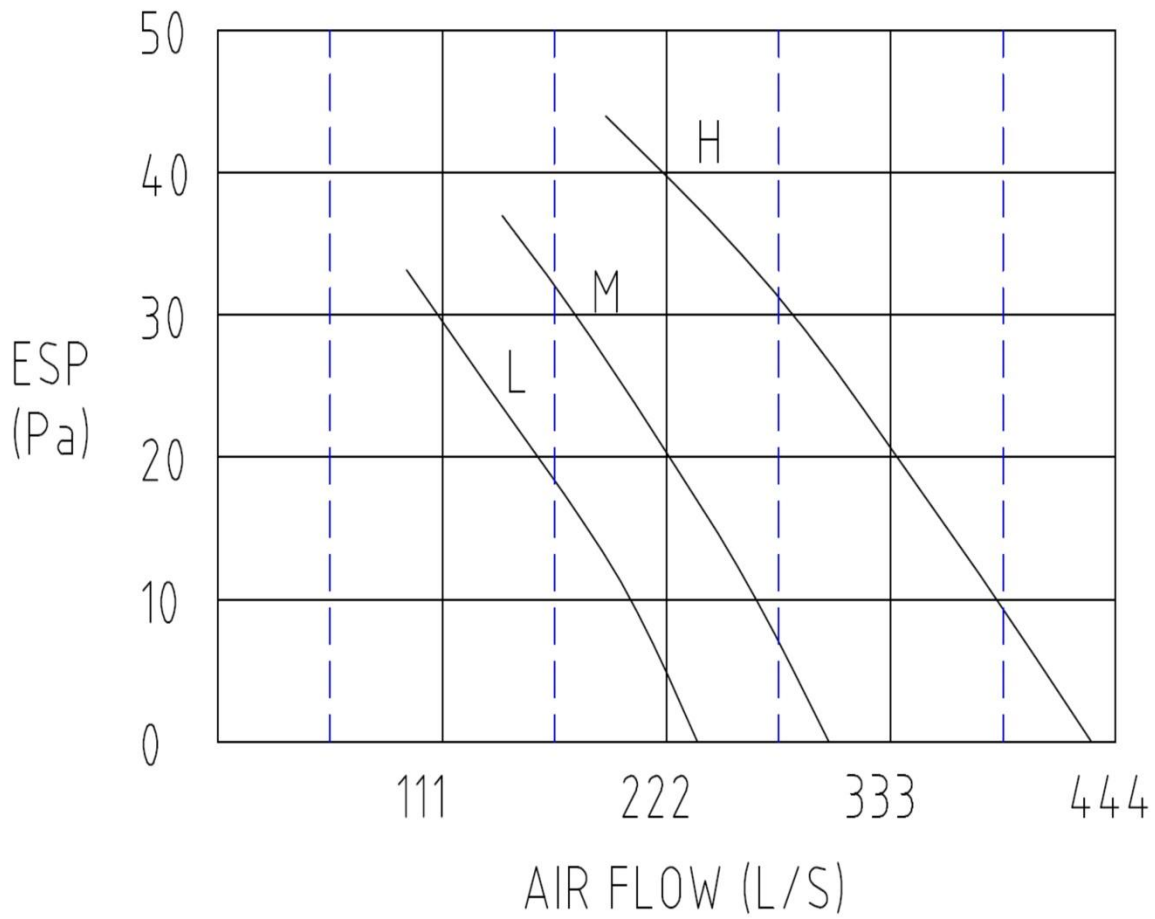
Floor Exposed FCU80



FAN COIL UNIT

*Floor Exposed
FCU80*

FAN CURVE



FAN COIL UNIT

Floor Exposed FCU80

NOISE CURVE

